

Hope Industrial Systems, Inc.



User Manual

17" Universal Mount Industrial Monitor

Model No. HIS-UM17-__ _ C



Table of Contents

Safety and Regulatory Information	3
Warning	3
FCC Notice	3
Control Panel Buttons and Indicators	4
OSD Functions	5
Picture	5
Color	5
Image	6
On-Screen Display (OSD)	6
Setup	7
Information	7
Installation Instructions	8
Preparing for Installation	8
Installation using VESA mounting	8
Installation using the yoke and benchtop mounting option	9
Installation using yoke and pedestal mounting option	10
Installation using fixed pedestal mounting option	12
Touchscreen Driver Installation	14
Setting the Timing Mode	14
Cleaning	15
Resistive Touchscreen model	15
Tempered Anti-Reflective Glass Window	15
Acrylic Window	15
Troubleshooting	16
Drawings	18
Specifications	19
Display	19
Environmental	19
Electrical	20
Video	20
Compliance	20
Functional	20
Enclosure	21
Physical	21
VGA Pin assignment	21
Factory Preset Timing	22
Warranty Statement	23

Safety and Regulatory Information

Warning

To prevent fire or shock hazard, do not expose the unit to rain or moisture. Dangerously high voltages are present inside the unit. Do not disassemble the unit. Refer servicing to qualified personnel only.



This equipment is not intended for use in critical applications where its failure to operate would create immediate life threatening circumstances. Applications including but not limited to nuclear reactor control, aerospace navigation systems and life support systems are not appropriate for this product.

This product is a UL Recognized Component and must be used with a listed computer.

FCC Notice

This equipment has been tested and found to comply with the limits for a Class A digital device, pursuant to Part 15 of the FCC Rules. These limits are designed to provide reasonable protection against harmful interference when the equipment is operated in a commercial environment. This equipment generates, uses, and can radiate radio frequency energy and, if not installed and used in accordance with the instruction manual, may cause harmful interference to radio communications. Operation of this equipment in a residential area is likely to cause harmful interference in which case the user will be required to correct the interference at his own expense. Any changes or modifications not expressly approved by the grantee of this device could void the user's authority to operate the device.

Control Panel Buttons and Indicators

Control Panel Button	Mode	Description
MENU	Always	Opens the On-Screen Display (OSD) menu. Also used to exit the OSD menu or to return to the previous menu.
	When the OSD Menu is NOT Displayed	<p>MagicBright: Provides an optimum viewing environment depending on the contents of the image you are watching. Four different modes are available. Each mode has its own pre-configured brightness value:</p> <ol style="list-style-type: none"> 1) Custom: Allows manual configuration of brightness and contrast using the OSD menu 2) Text: Normal brightness; for content involving heavy text 3) Internet: Medium brightness; for working with a combination of text and graphics 4) Entertain: High brightness; for watching moving images and video
	When the OSD Menu is Being Displayed	Adjusts items in the menu DOWN .
	When the OSD Menu is NOT Displayed	Push to adjust brightness.
	When the OSD Menu is Being Displayed	Adjusts items in the menu UP .
ENTER	When the OSD Menu is Being Displayed	Activate a highlighted menu item.

Control Panel Button	Mode	Description
AUTO	Always	Use this button for auto adjustment of the display. Auto adjustment allows the monitor to self-adjust to the incoming video signal. The values of fine, coarse and position are adjusted automatically. Auto adjustment will also occur automatically each time the computer resolution is changed.
POWER		Use this button to turn the monitor on and off.
POWER INDICATOR		This light glows green during normal operation, and blinks green once as the monitor saves your adjustments.

OSD Functions

Picture

Menu	Description
Brightness	Adjust the brightness. Direct Access Feature: When OSD is not on the screen, push the “+” button to adjust brightness.
Contrast	Adjust the contrast.

Color

Menu	Description
Color Tone	The tone of the color can be changed to one of four modes: Cool, Normal, Warm and Custom.
Color Control	Adjust individual Red, Green, and Blue color balance.
Gamma	Select one of three pre-defined gammas: <ul style="list-style-type: none"> • Mode 1 : Shows normal gamma

- Mode 2 : Shows higher gamma(brighter)
- Mode 3 : Shows lower gamma(darker)

Image

Menu	Description
Coarse	Removes noise such as vertical stripes. Coarse adjustment may move the screen image area. You may relocate it the center using the Horizontal Control menu.
Fine	Removes noise such as horizontal stripes. If the noise persists after fine tuning, repeat it after adjusting the frequency (clock speed) on your computer video adapter.
Sharpness	Sets the clarity of the image.
H-Position	Changes the horizontal position of the display.
V-Position	Changes the vertical position of the display.

On-Screen Display (OSD)

Menu	Description
Language	Changes the language used in the display menu.
H-Position	Changes the horizontal position of the OSD menu.
V-Position	Changes the vertical position of the OSD menu.
Transparency	Changes the translucency of the background of the OSD.
Display Time	The OSD menu will automatically turn off if no adjustments are made for a certain time period. You can set the amount of time the menu will wait before it turns off.

Setup

Menu	Description
Image Reset	Image parameters are replaced with the factory default values.
Color Reset	Color parameters are replaced with the factory default values.

Information

Menu	Description
Information	Shows the video source and display mode.

Installation Instructions

Preparing for Installation

Important! Perform the following steps BEFORE installation of the monitor.

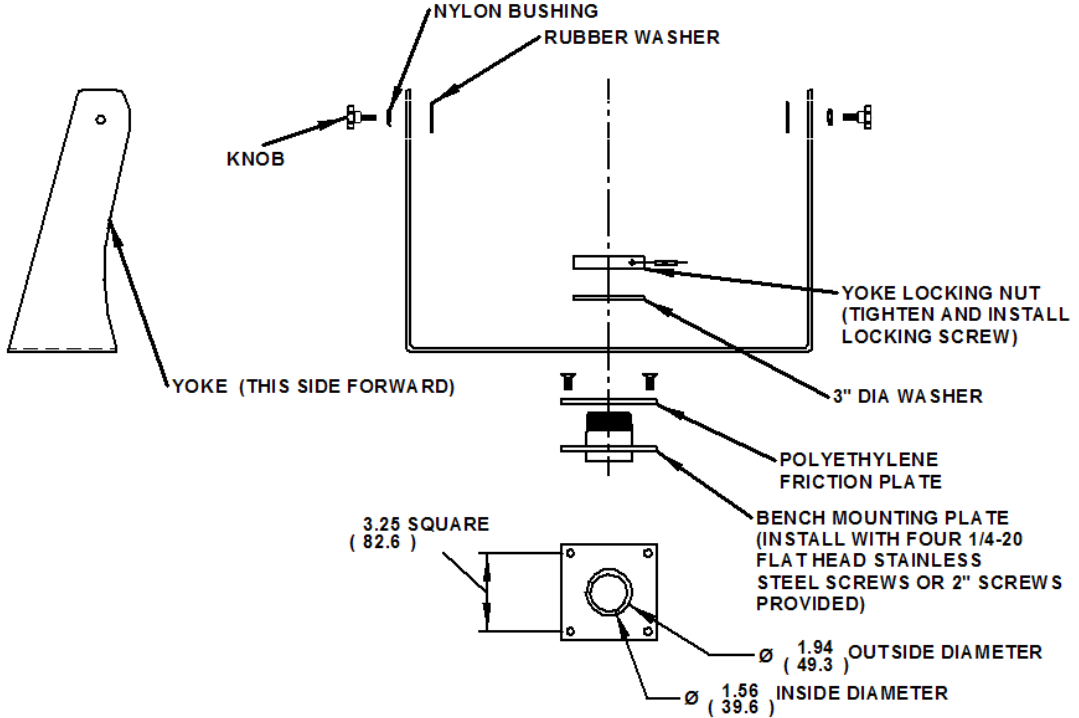
1. Ensure that sufficient power is available.
2. Ensure that sufficient space is available to allow for proper airflow around the enclosure.
3. Ensure that the air temperature around the unit (top and bottom) will not exceed the rated specifications of the unit.
 - **The maximum rated temperature of the HIS-UM17 is 45°C (113°F).**
 - **Also, remember that even though this product is designed to operate at 45°C , the life span of any electronic device is shortened when it is consistently operated at high temperatures. Therefore it is wise to take steps to keep the temperature of the ambient air around the unit as low as possible.**
4. Ensure that the ambient humidity of the air around the unit does not exceed the rated specifications for the unit
 - The maximum rated humidity for the HIS-UM17 is 90% non-condensing.

Installation using VESA mounting

All units come standard with a 100mm square VESA mounting pattern with M4 threads. If this mounting method is used, consider the following:

- M4 screws should not protrude into the rear cover by more than 1/4".
- The capacity of the arm or mounting plate selected should take into account the total weight of the monitor and its center of gravity.
- For NEMA 4/4X applications, the mounting interface should be properly sealed to prevent egress of water. Sealing washers are provided for this purpose.

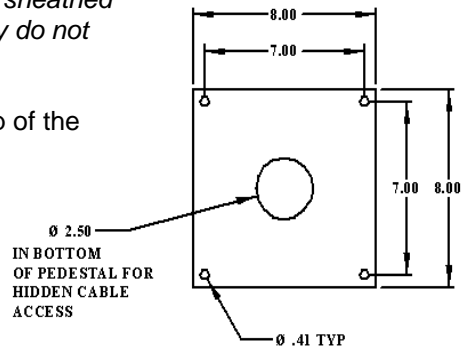
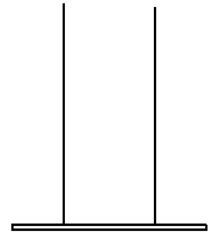
Installation using the yoke and benchtop mounting option



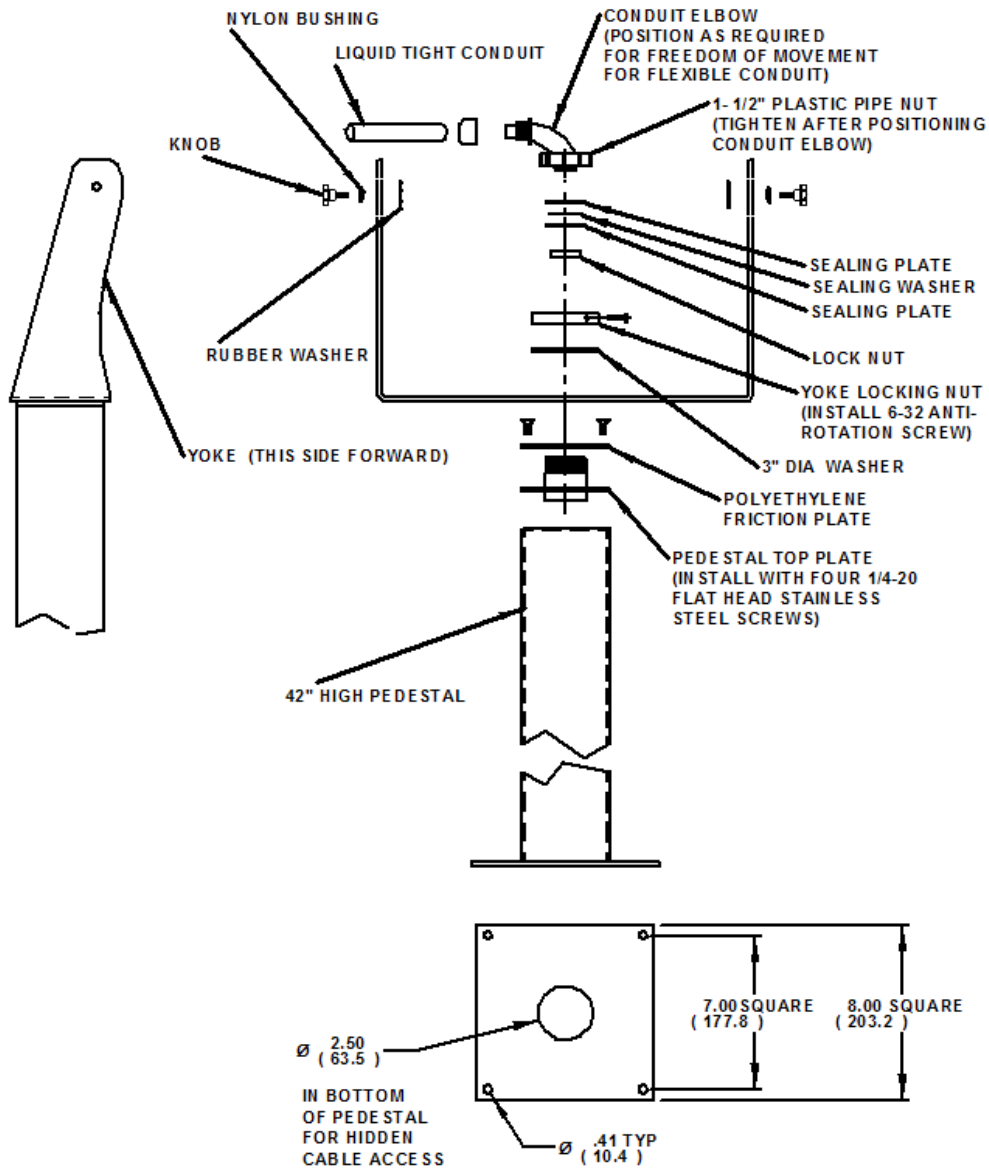
1. Insure mounting surface is smooth enough to seal with gasket and create mounting pattern in surface per the above diagram.
2. Install first two opposing 1/4-20 flat head screws (two different lengths provided)
3. Rotate yoke 90 degrees to gain access to install remaining two screws.
4. Remove cap from end of threads if routing cables through the center of the plate.

Installation using yoke and pedestal mounting option

1. Prepare the mounting surface for installation of the pedestal by referring to the illustration.
2. Install the pedestal using appropriate hardware and methods for the mounting surface selected taking strength, cable routing and sealing into consideration.
3. Position and support the yoke assembly near the top of the pedestal.
4. Thread monitor cables through the yoke assembly (the ends of the cables opposite the cover plate that joins to the monitor).
5. Connect all cables from the monitor into the pedestal. *Connectors that do not have a locking mechanism should be sheathed in heat shrink tubing or tie wrapped to insure that they do not come loose inside the pedestal.*
6. Feed all connectors and excess cabling inside the top of the pedestal.
7. Feed all cables into the space available inside pedestal.
8. Install pedestal top plate using the four ¼-20 x ¾" long screws provided. *Access to the screws is gained by the clearance notches in the yoke.*
9. Feed remaining cable into the pedestal and screw the conduit elbow onto the top of the pedestal taking care to position the direction of the conduit to allow free tilting of the monitor without interference. *Conduit elbow will pivot somewhat even after pipe nut is tightened.*
10. Install monitor onto yoke with the Yoke Hardware Installation Guide provided.
11. Install cables into the monitor securing video cable and touch serial cable with screwlocks.
12. Remove and reuse screws to install cover plate onto monitor. Tighten all eight screws of cover plate fully then back off one full turn.



Installation using yoke and pedestal mounting option (continued from previous page)

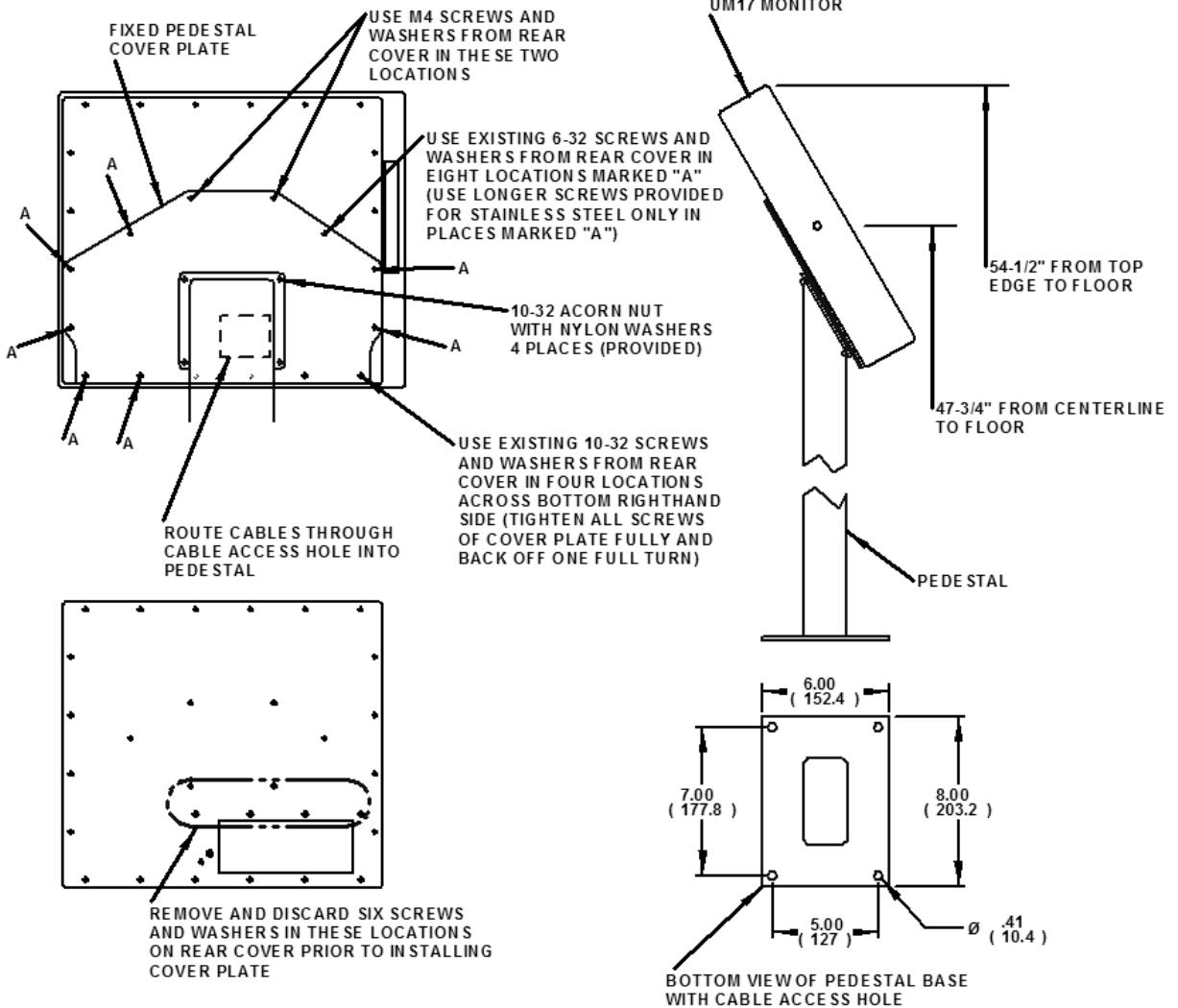


Note: The 3/4" conduit and other sealing hardware are not required for NEMA 12 monitors or NEMA 4/4X monitors with the 4-cable gland.

Installation using fixed pedestal mounting option

1. Prepare the mounting surface for installation of the pedestal by referring to the illustration.
2. Install the pedestal using appropriate hardware and methods for the mounting surface selected taking strength, cable routing and sealing into consideration.
3. Install cables into the monitor securing video cable and touch serial cable with screw locks.
4. Remove and discard hardware shown in the illustration.
5. Remove and reuse hardware shown in the illustration to install the cover plate.
6. Position and support the monitor so that the cables exiting from the monitor can be easily routed into the top of the pedestal.
7. Remove and reuse the acorn nuts and sealing washers to install the monitor onto the pedestal feeding cables into the pedestal.

Installation using fixed pedestal mounting option (continued from previous page)



Touchscreen Driver Installation

The enclosed CD-ROM contains documentation and drivers for all major operating systems. To be sure you have the most current information, check the following Internet addresses:

http://HISmonitors.com/Touchscreen_Drivers.htm

Setting the Timing Mode

Setting the timing mode of your computer graphics adapter (or other video source) is important for maximizing the quality of the screen image and for minimizing eye strain. The timing mode consists of the resolution (example 1280 x 1024) and refresh rate (or vertical frequency; example 60 Hz). After setting the timing mode, use the OSD (On-screen Display) controls to adjust the screen image.

For the best picture quality set your LCD display timing mode to:

VESA 1280 x 1024 @ 60Hz

Please refer to the computer graphics adapter manufacturer's manual for instructions on setting the resolution and timing mode. In Microsoft Windows ME/200/XP, these settings may be found at this location:

Control Panel > Display > Settings

Cleaning

CAUTION! DO NOT USE ABRASIVE MATERIALS SUCH AS PAPER TOWELS OR DIRTY SHOP RAGS ON THE DISPLAY AS IT WILL SCRATCH THE PROTECTIVE COATING. ALWAYS USE A SOFT CLOTH, PREFERABLY MADE OF COTTON.

Resistive Touchscreen model

Any standard glass cleaner can be used to clean the touchscreen. Always spray the glass cleaner on the cloth or towel and then clean the touchscreen. Glass cleaner sprayed directly on the monitor could possibly leak inside a non-sealed unit and cause damage. Vinegar or ammonia will not hurt the touchscreen. Again, spray the cloth and then clean the touchscreen.

Tempered Anti-Reflective Glass Window

Use any standard glass cleaner as long as there is no abrasive or oily content. The anti-reflective coatings are physically part of the surface of the glass and resist degradation to the Military Specifications.

Acrylic Window

The acrylic front bezel can be cleaned in the same manner as the touchscreen or glass window.

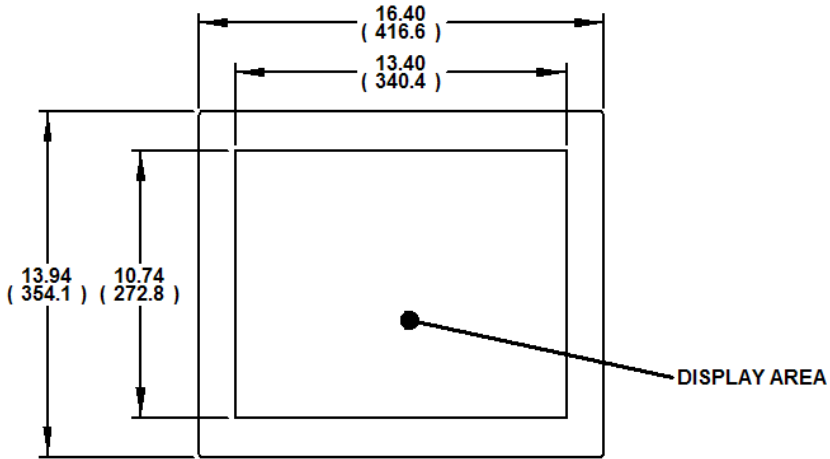
Troubleshooting

Symptom	Check List	Solutions
No image on the screen	Do you see the "Check Signal Cable" message on screen?	Check the video connection from the monitor to the computer.
	If running Windows and the computer power is on, reboot the computer and watch for the initial boot and windows screen.	If you see the initial screens, then the image goes dark, the computer may be set to an incompatible resolution. Reboot the computer in safe mode and set the resolution and refresh rate of the graphics card to a compatible resolution
	Do you see the "Not Optimum Mode, Recommended Mode 1280 x 1024 60 Hz" message?	This message displays when the signal from the computer exceeds the maximum resolution and frequency that the monitor can handle. (> 1280x1024 resolution or > 75 Hz refresh rate) Adjust the computer to a compatible resolution and refresh rate.
	There is no image on the screen and the power LED is blinking at 1 second intervals.	The monitor is in Power Saver mode. Press a key on the keyboard to activate the monitor and restore the image on the screen.
The screen shows strange colors or displays in black and white	Is the screen tinted to one color as if looking at the screen through cellophane paper?	This occurs if not all signal cable connectors are making contact. Check the signal cable connection

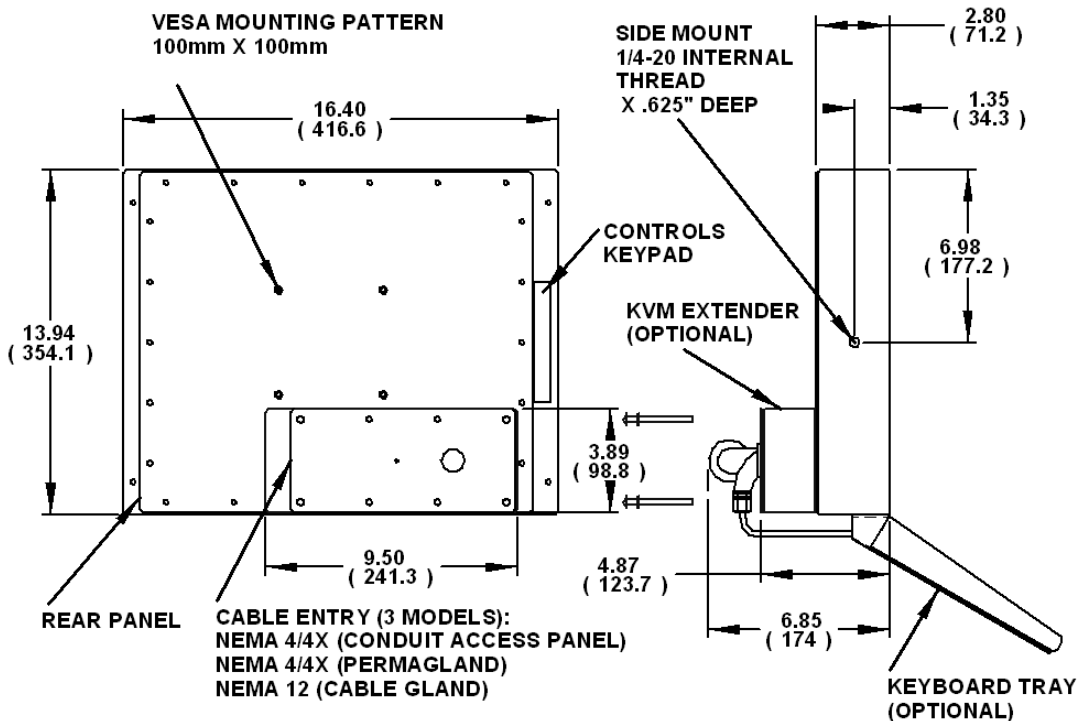
Symptom	Check List	Solutions
Image on screen is not perfect	Many possible causes. Try the following solutions.	<ul style="list-style-type: none"> • Make sure the PC display resolution matches one the factory preset timings shown in this manual. • Recall factory setting. Refer to OSD functions in this manual. • Fine tune the picture by performing the following adjustments in this order – coarse, fine, and position. Refer to OSD functions in this manual.
Rolling or unstable image on screen	Many possible causes. Try the following solutions.	<ul style="list-style-type: none"> • Press “Auto” button. • Change PC display resolution to 1280x1024 at 60 Hz refresh. • Make sure the PC display resolution matches one of the factory preset timings in this manual. • Unplug the power adapter to monitor and then plug it in again. • Press monitor power button again. • Reset the monitor to the original factory setting using the OSD.

Drawings

Front View



Side and Rear View



Specifications

Display

Type	Thin-film transistor (TFT) Active Matrix Liquid Crystal
Size	17" (43cm) diagonal
Image size	13.3" (338mm) x 10.6" (270mm)
Native resolution	SXGA (1280 x 1024)
Plug and Play	VESA DDC
Minimum resolution	640 x 350
Pixel pitch	0.264mm x 0.264mm
Number of colors	16.2 million
Viewing Angle (Hori/Vert)	170° / 155°, typical
Brightness (white)	300 nits (cd/m ²) max
Contrast ratio	600:1 (typical)
Back light	Four CCFTs (Cold Cathode Fluorescent Tube); 50,000 hours brightness half-life; replaceable
Screen protector (when not shipped with touch-screen)	Tempered glass to ANSI-Z97.1 SPEC; AR coated on both sides; 98% Transmission of light; 99% Reduction of glare; 53% UV blocking; 30% NIR Blocking

Environmental

Temperature	0-45°C
Humidity	20% to 90% non-condensing
Shock	30g (1/2 sine, 11 msec.)
Vibration	0.006 inch p-p 15-57Hz, 1.0g 57-640Hz sine
Altitude	Operating: up to 10,000 feet; Non-operating: up to 40,000 feet

Electrical

Monitor input	100VAC - 240VAC, 50/60Hz
Power consumption	Less than 34W
Power management	DPMS/energy star, < 1W

Video

Input connector	HD-15 (optional BNC input)
Input signal format	RGB Analog video 0.7Vp-p Positive at 75 Ohm +-10% Separate H/V sync, Composite H/V sync, Sync on green, TTL level positive or negative.
Horizontal scan	30kHz – 81kHz
Vertical scan	56Hz – 75Hz
Optimum Resolution	1280 x 1024 @ 60 Hz
Maximum Resolution	1280 x 1024 @ 75 Hz
Response rate (typical)	8ms

Compliance

Electrical	UL 60950 3 rd Edition / cUL recognized component; FCC Class A; CE
Environmental	RoHS

Functional

Panel controls (rear access)	Menu, MagicBright, Brightness Adjust, Enter, Auto, Power, Power Indicator
OSD (On Screen Display) controls	Picture, Color, Image, OSD, Setup, Information
Touch screen option	5-wire resistive system; emulates a mouse; Serial RS-232 and USB interface to host computer

Enclosure

Type	Self-contained, stainless steel or powder coated carbon steel
Environmental rating	NEMA 12, 12/4, or 12/4/4X (built to IP65 standards)
Seal	NEMA 12 gland, NEMA 4 gland, ¾" conduit, or 4-cable gland
Mounting	VESA pattern 100mm square, M4 threads Optional Yoke mounting with ¼-20 internal thread interface

Physical

Dimensions – Width, Height, Depth	16.4" (417mm) W x 13.94" (354mm) H x 3.25" (83mm) D
Net weight	Black Carbon Steel Model – 13.6 lbs. Stainless Steel Model – 17.05 lbs.
Shipping weight	Black Carbon Steel Model – 16.25 lbs. Stainless Steel Model – 19.70 lbs.

VGA Pin assignment

Pin No.	Signal	Pin No.	Signal
1	Red	9	No pin
2	Green	10	Ground
3	Blue	11	Ground
4	Ground	12	SDA
5	Ground	13	H. sync
6	Ground	14	V. sync
7	Ground	15	SCL
8	Ground		

Factory Preset Timing

Resolution	Horizontal Frequency (KHz)	Vertical Frequency (Hz)	Pixel Clock (MHz)	Sync Polarity (H/V)
IBM, 640 x 350	31.469	70.086	25.175	+/-
IBM, 640 x 480	31.469	59.940	25.175	-/-
IBM, 720 x 400	31.469	70.087	28.322	-/+
MAC, 640 x 480	35.000	66.667	30.240	-/-
MAC, 832 x 624	49.726	74.551	57.284	-/-
MAC, 1152 x 870	68.681	75.062	100.00	-/-
VESA, 640 x 480	37.500	75.000	31.500	-/-
VESA, 640 x 480	37.861	72.809	31.500	-/-
VESA, 800 x 600	35.156	56.250	36.000	-/-
VESA, 800 x 600	37.879	60.317	40.000	+/+
VESA, 800 x 600	46.875	75.000	49.500	+/+
VESA, 800 x 600	48.077	72.188	50.000	+/+
VESA, 1024 x 768	48.363	60.004	65.000	-/-
VESA, 1024 x 768	56.476	70.069	75.000	-/-
VESA, 1024 x 768	60.023	75.029	78.750	+/+
VESA, 1152 x 864	67.500	75.000	108.00	+/+
VESA, 1280 x 1024*	63.981	60.020	108.00	+/+
VESA, 1280 x 1024*	79.976	75.025	135.00	+/+

* Factory recommended timings for best picture quality

Warranty Statement

Who is Covered?

This warranty covers the purchaser of this product only and is not transferable without our written consent.

What Does This Warranty Cover and What is the Period of Coverage?

The warranty remains in force for a three year period beginning on the date we invoice you for the product unless it is a keyboard, for which the warranty period is one year. If HIS repairs or replaces a product under warranty, its warranty term is not extended.

What Will We Do to Correct Problems and How Do You Get Service?

We will repair or replace (at our sole option) any part of the unit which proves to be defective. Replacement parts may be new or refurbished and will meet the same specifications of the original parts or unit. We will return the product to you by the shipping method we choose in the U.S.A. at our expense. You must pay for shipments to locations outside of the U.S.A. In order to receive warranty service you must get prior approval from HIS. To request warranty service you can telephone us at 678-762-9790 or send an email to service@HISmonitors.com. If we determine that warranty service is needed we will give you a Return Material Authorization (RMA) number. This RMA number must be conspicuously marked on the outside of the shipping box. HIS will not accept shipments not accompanied by the RMA number. You must ship or deliver the product to HIS Freight prepaid.

What Does This Warranty Not Cover?

This warranty does not cover equipment which has been damaged due to misuse, abuse or accident such as: operating the equipment outside of published specifications; exposure to chemicals or gasses not covered by specified NEMA standards; displaying fixed images for long periods of time resulting in afterimage effects; improper or unauthorized repair by anyone other than HIS or a service agency authorized by HIS to perform such repairs; fire, flood, "acts of God", or other contingencies beyond the control of HIS.

HIS' responsibility for malfunctions and defects in hardware is limited to repair and replacement as set forth in this warranty statement. HIS shall not be liable for direct, indirect, incidental, consequential, or other types of damages resulting from the use of any HIS product other than the liability stated above. These warranties are in lieu of all other warranties express or implied, including, but not limited to, the implied warranties of merchantability or fitness for a particular purpose. Some states do not allow the exclusion of implied warranties or the limitation or exclusion of liability for incidental or consequential damages so the above exclusions or limitations may not apply to you. You are cautioned that the performance of this product can be affected by many factors, such as system configuration, software, application, and operator control of the system. It is your responsibility to determine suitability of this product for your purpose and application.

Hope Industrial Systems, Inc.

1325 Northmeadow Parkway
Suite 100
Roswell, GA 30076

www.HISmonitors.com