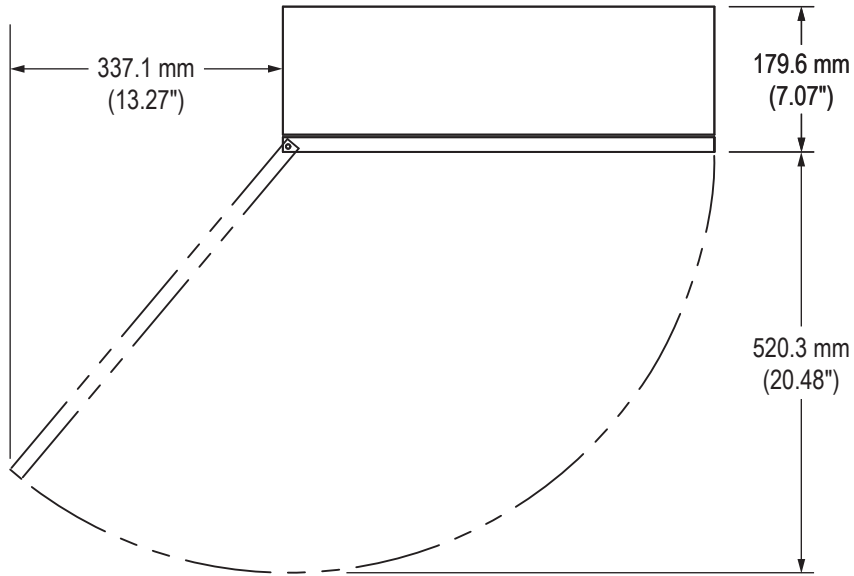
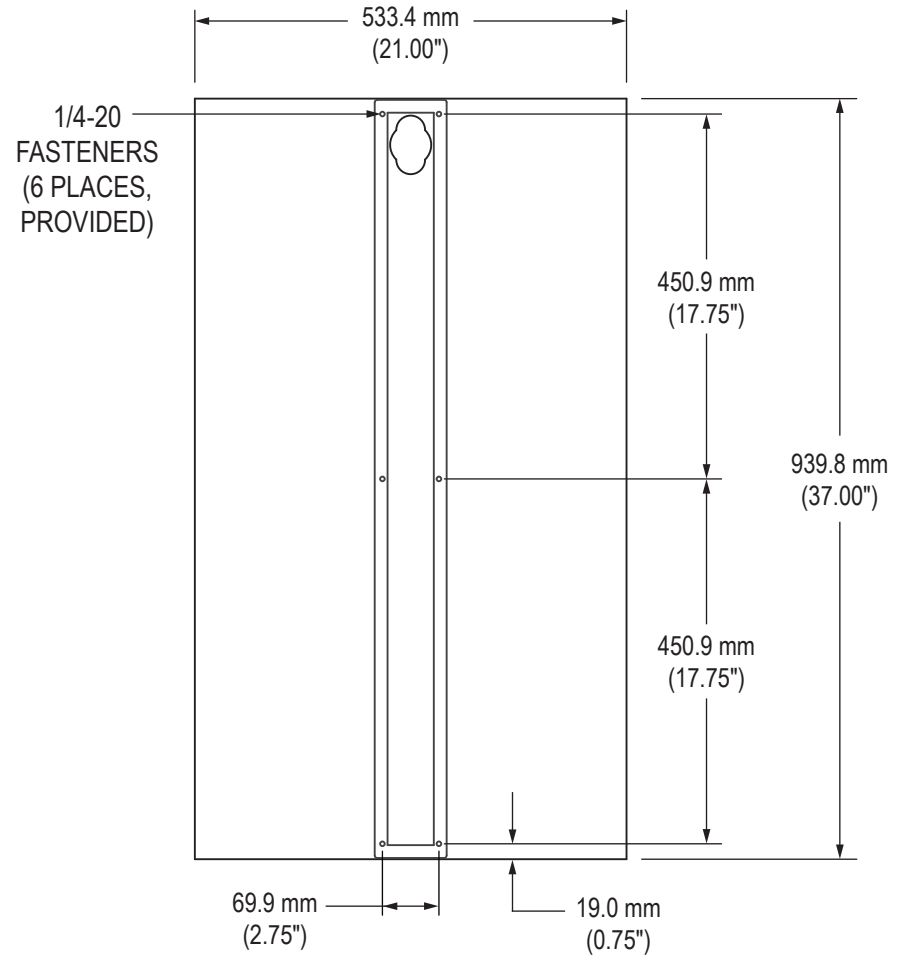


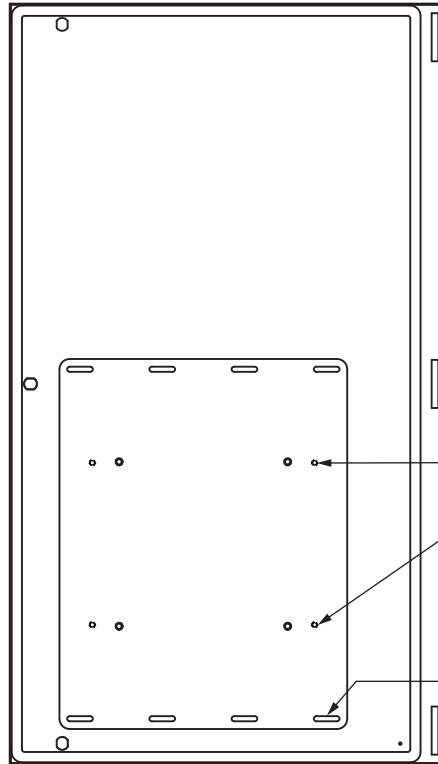
Top View (showing clearance required for door)



Rear View



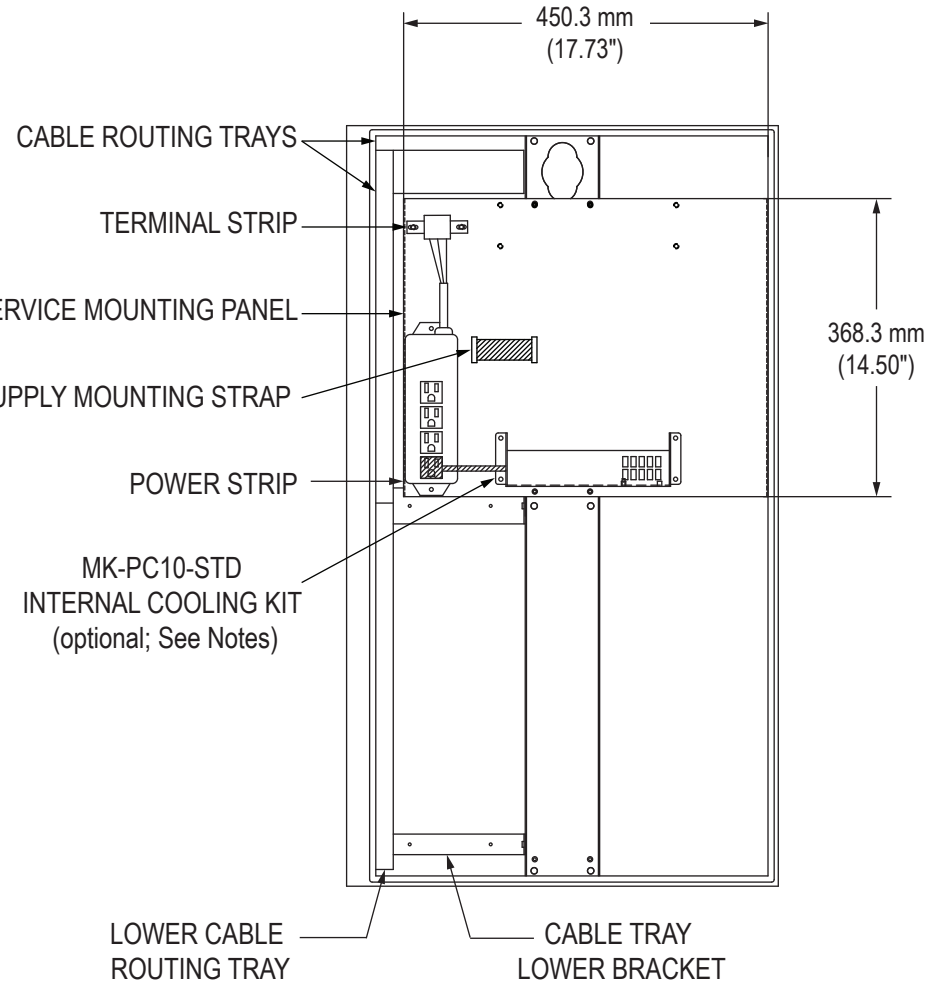
Inside View of Access Door



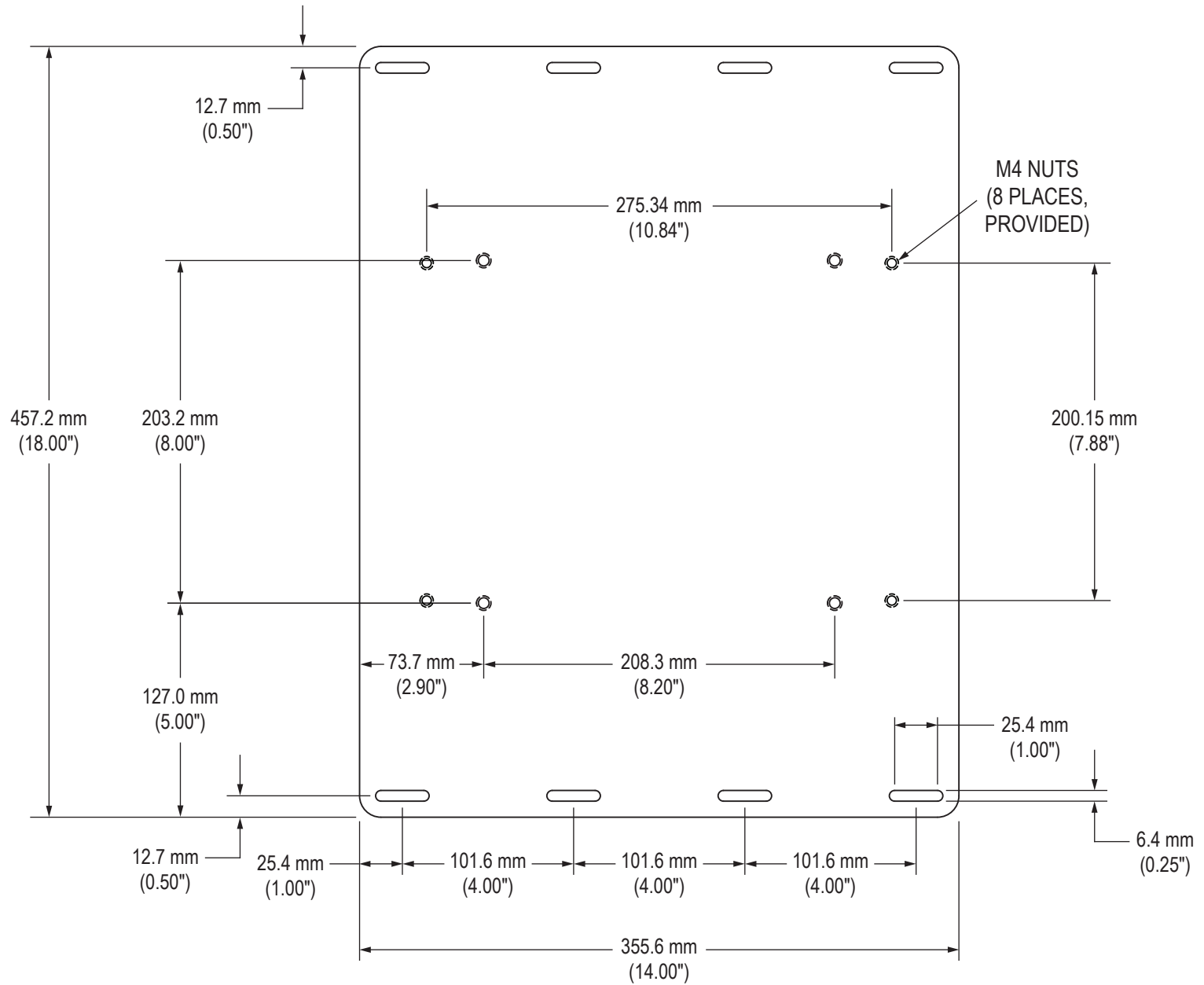
DELL BOX PC 5000
MOUNT POINTS
(USE DELL 575-BBKC
MOUNTING BRACKET)

LEFT/RIGHT ADJUSTMENT
SLOTS (8 PLACES)

Inside View of Enclosure



Close-up showing measurements of Access Door Mounting Bracket



Mechanical Drawing – Commercial / Industrial PC Enclosure



Hope Industrial Systems, Inc.

Toll Free: (877) 762-9790 · International: +1 (678) 762-9790
 UK: +44 (0) 20 7193-2618 · E-mail: support@HopeIndustrial.com

Part Number: ENCL-PC10 series

Revision:

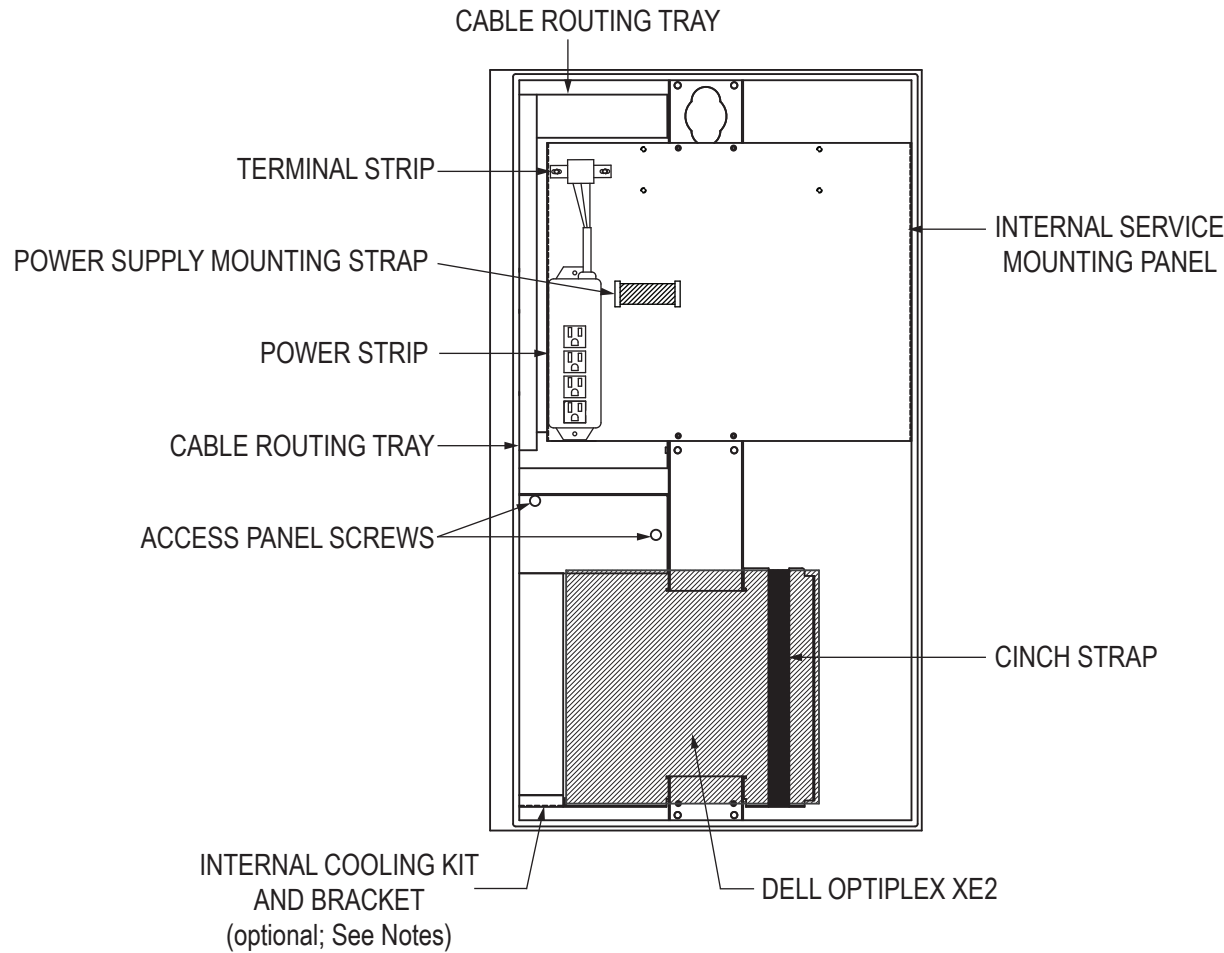
Date: 2017.05.24

Page 3 of 9

NOTES:

DELL OPTIPLEX XE2 FAN KIT (MK-PC10-DELLXE2)

Inside View of Enclosure



Mechanical Drawing – Commercial / Industrial PC Enclosure

© 2017



Hope Industrial Systems, Inc.
 Toll Free: (877) 762-9790 · International: +1 (678) 762-9790
 UK: + 44 (0) 20 7193-2618 · E-mail: support@HopeIndustrial.com

Part Number: ENCL-PC10 series

Date: 2017.05.24

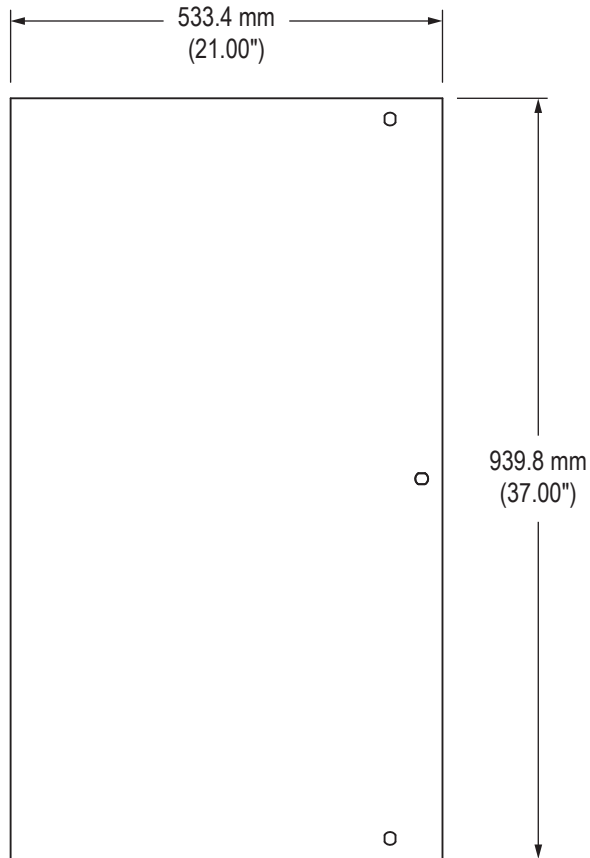
NOTES: When using optional MK-PC10-DELLXE2 Fan Kit, plug fan power into AC input.

Revision:

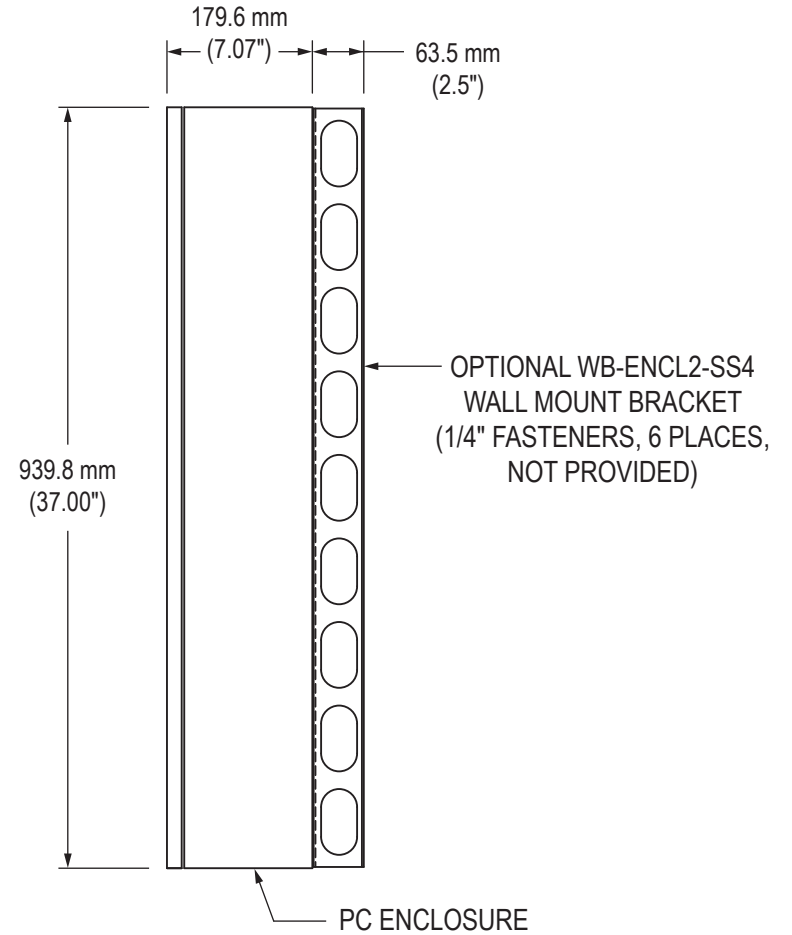
Page 4 of 9

WALL MOUNTING BRACKET

Front View of Enclosure

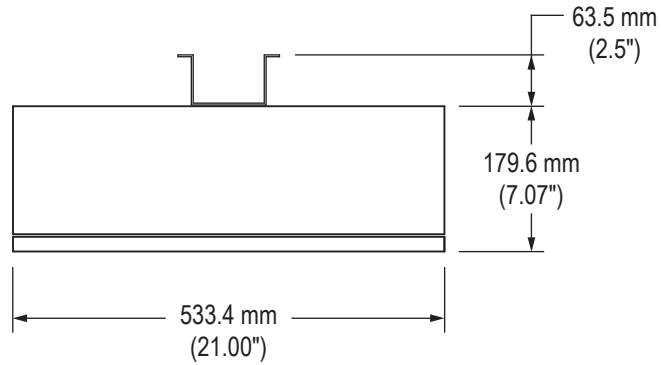


Side View

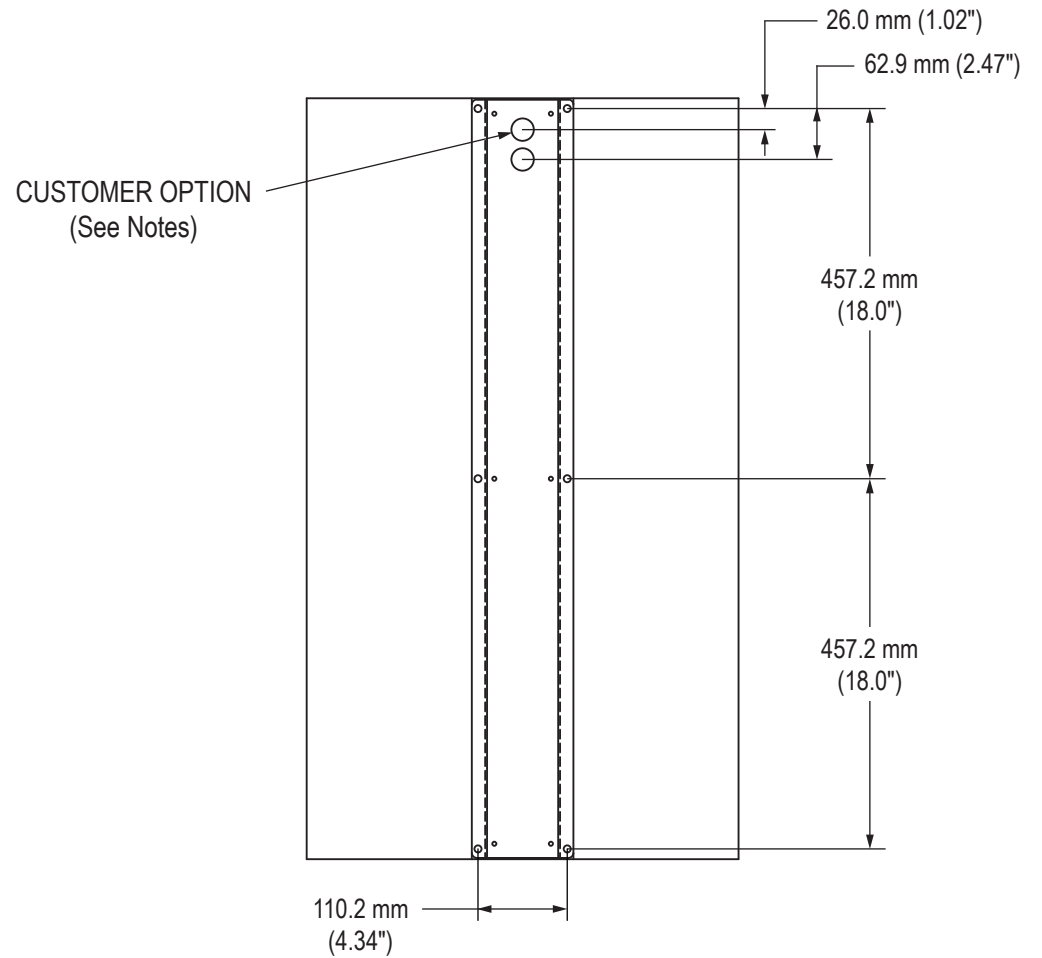


WALL MOUNTING BRACKET

Top View

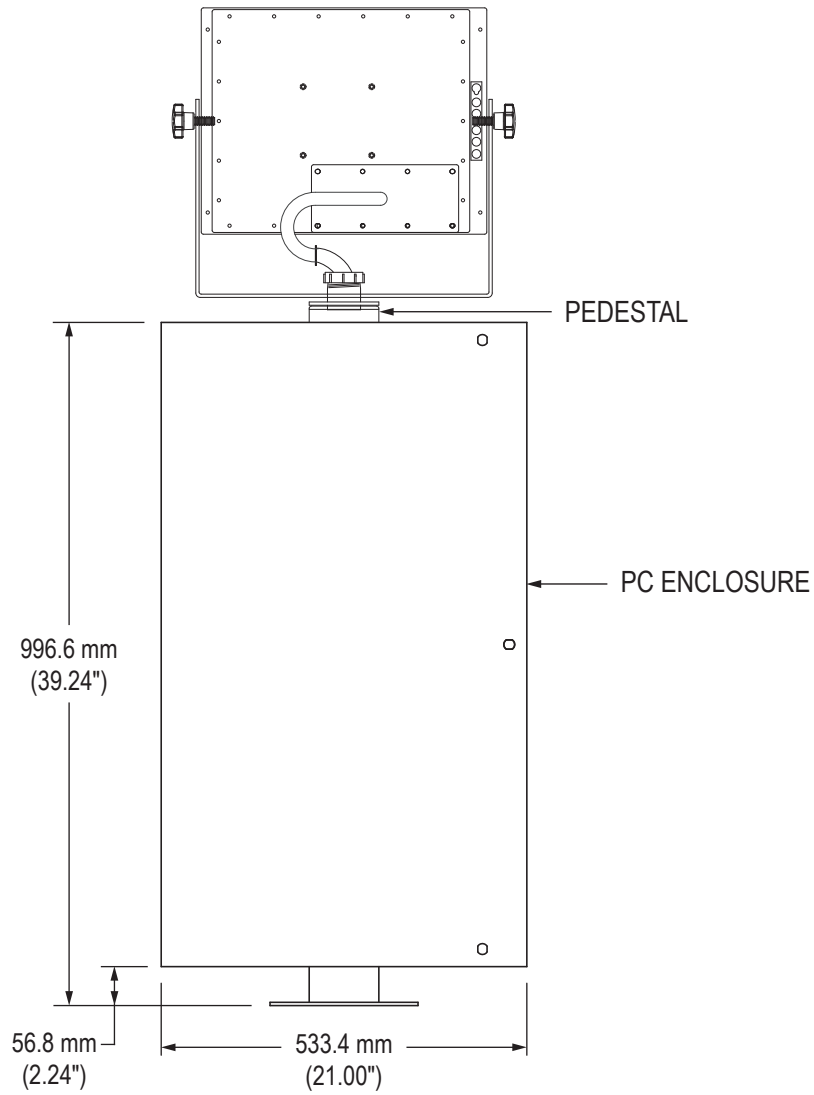


Rear View

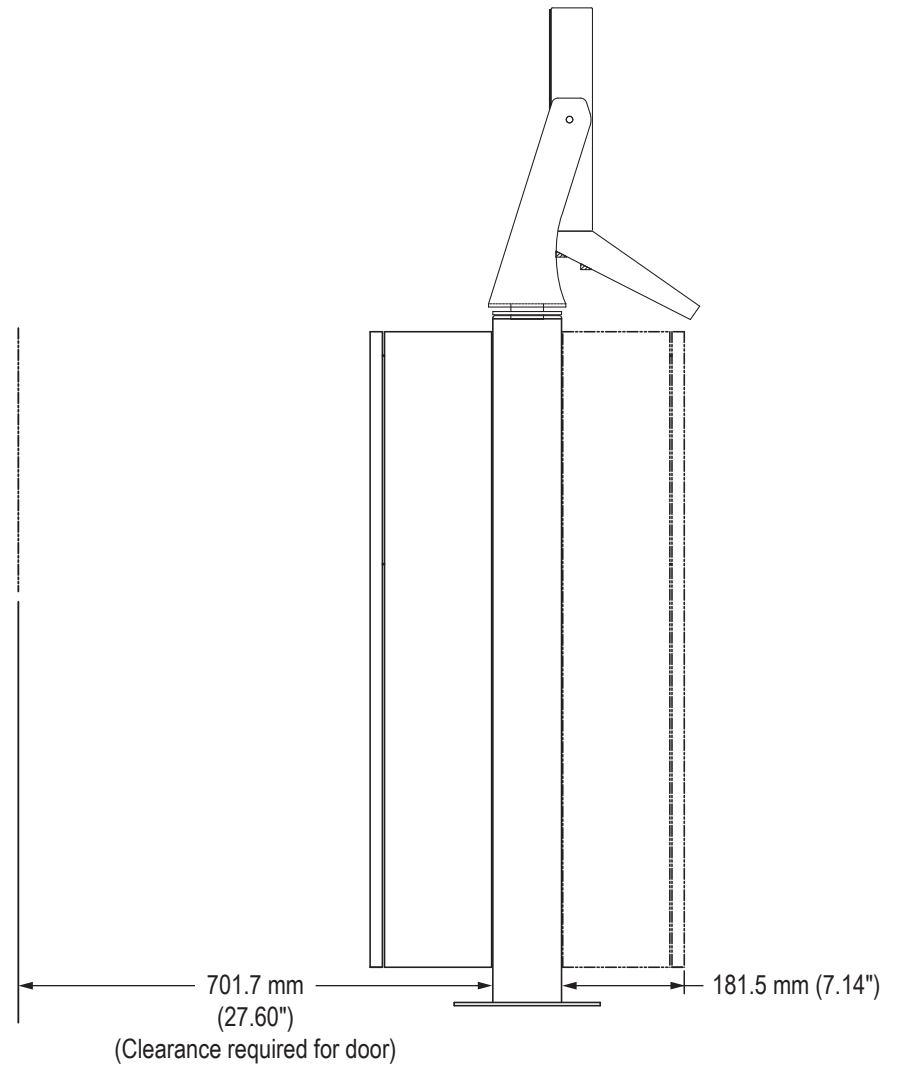


MOUNTED ON PED4X4

Rear View

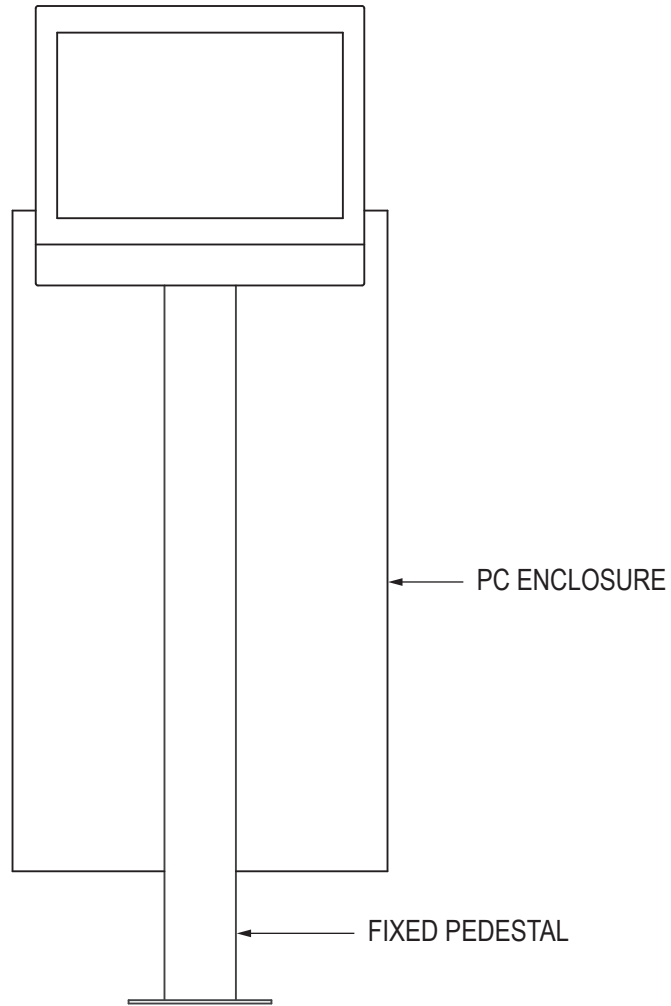


Side View

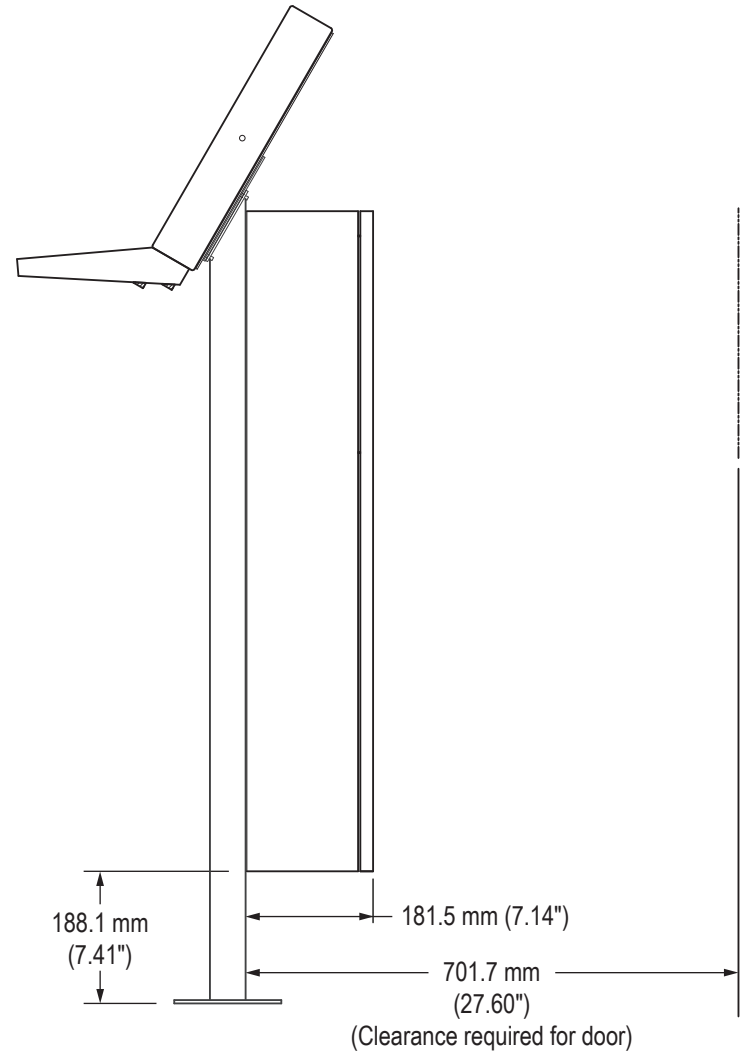


FIXED PEDESTAL - REAR MOUNTED

Front View

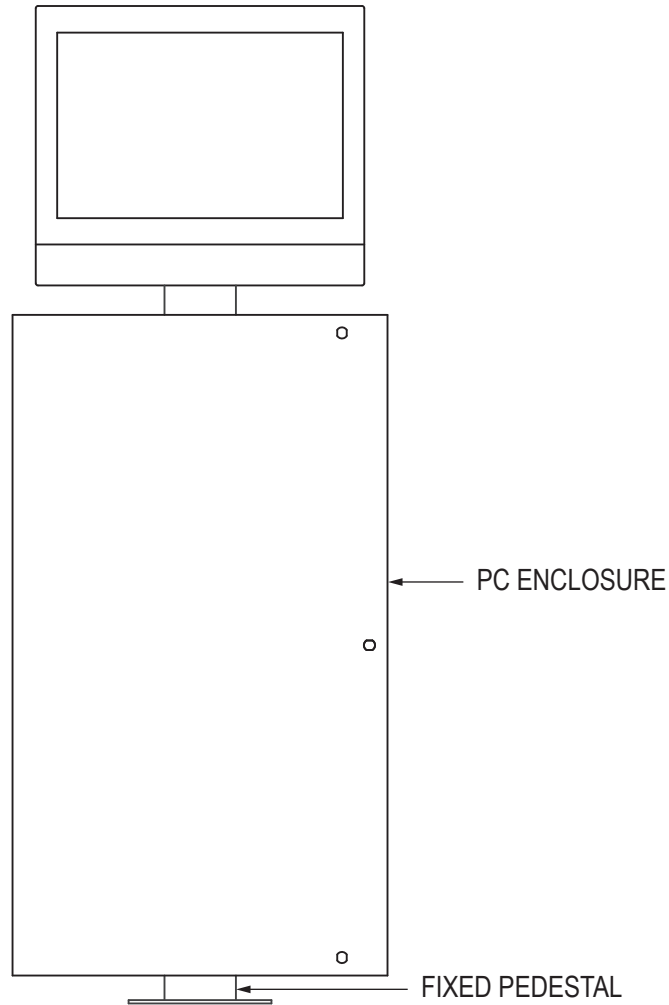


Side View



FIXED PEDESTAL - FRONT MOUNTED

Front View



Side View

