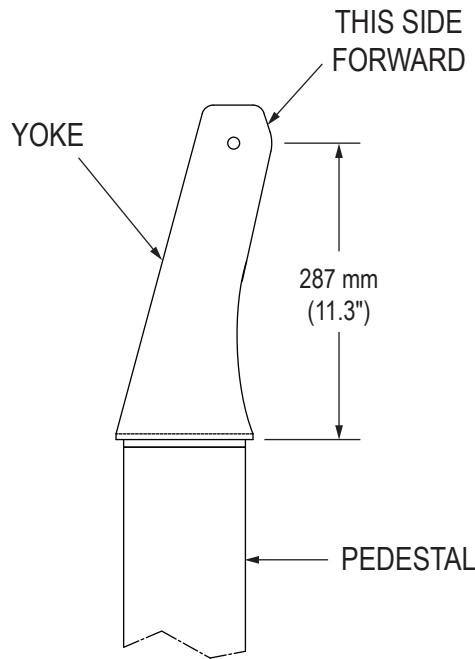
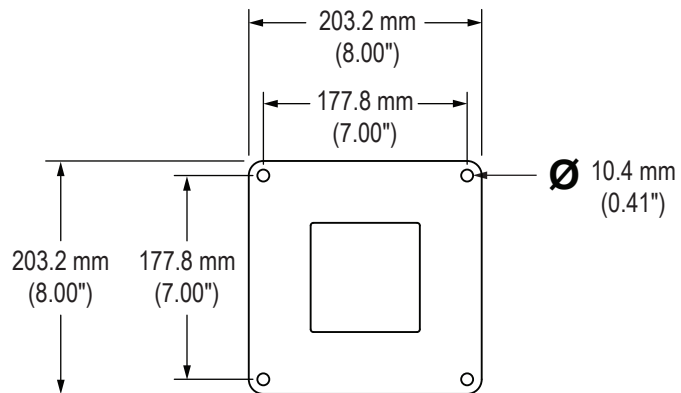


15/17" MODEL

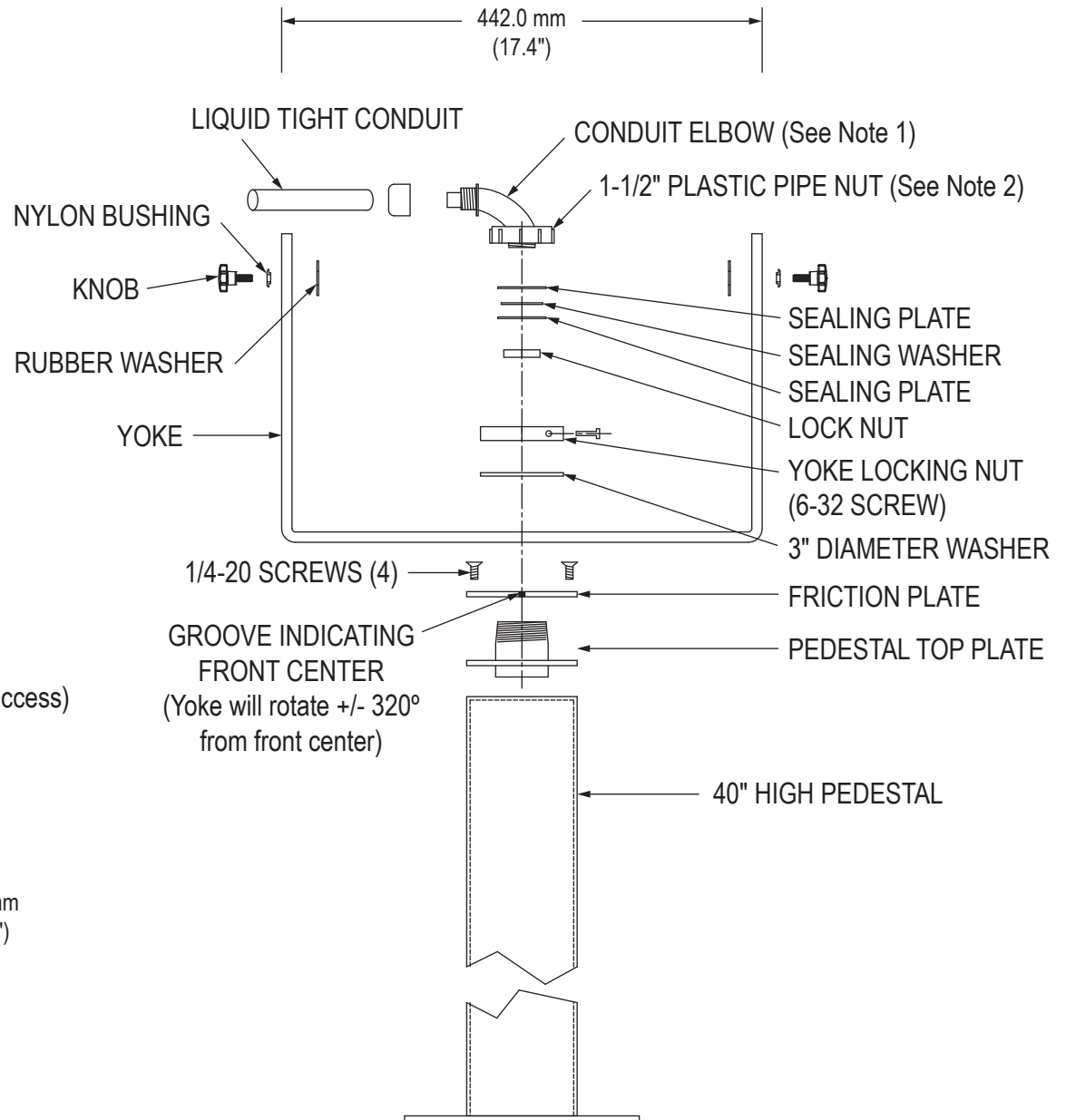
Side View



Pedestal Plate (in bottom of Pedestal for hidden cable access)



Front View



Mechanical Drawing – Yoke and Pedestal Mount

© 2019



Hope Industrial Systems, Inc.

Toll Free: (877) 762-9790 · International: +1 (678) 762-9790
 UK: +44 (0) 20 7193-2618 · E-mail: support@HopeIndustrial.com

Part Number: PED4X4 series

Revision:

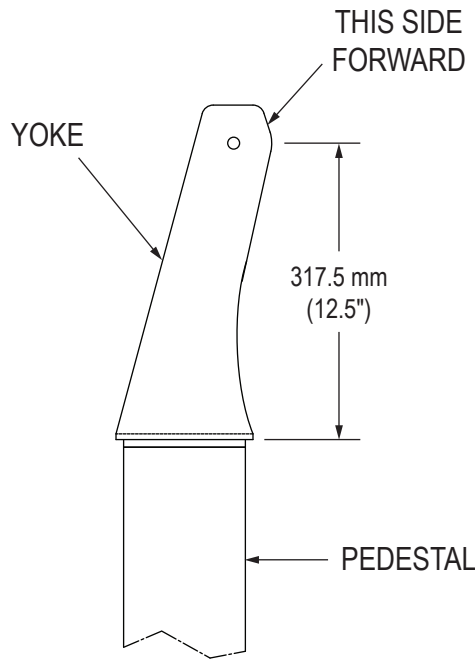
Date: 2018.08.06

Page 1 of 9

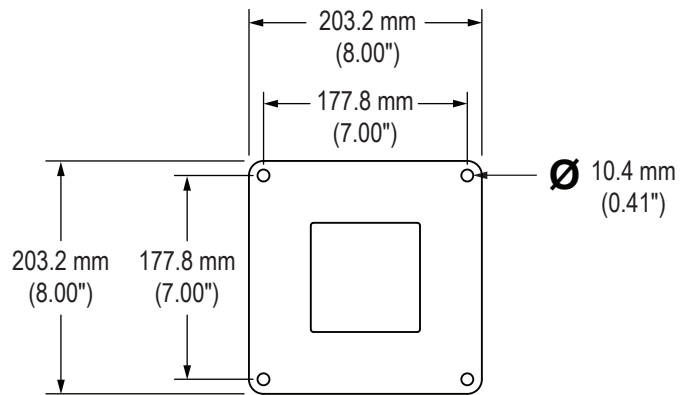
NOTES: 1) Position Conduit Elbow as shown for freedom of movement of Flexible Conduit.
 2) Tighten Plastic Pipe Nut after positioning Conduit Elbow.

19" MODEL

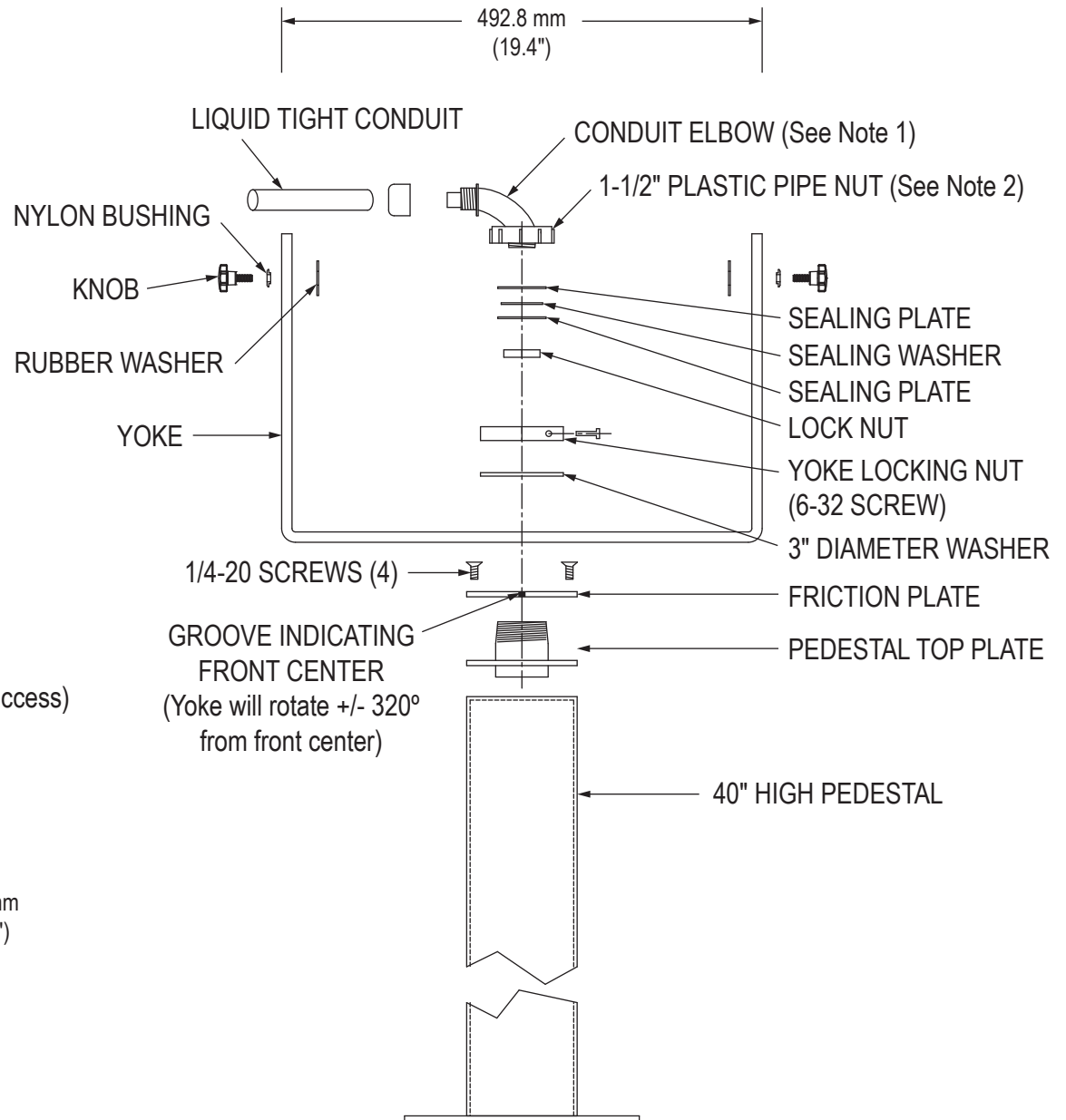
Side View



Pedestal Plate (in bottom of Pedestal for hidden cable access)

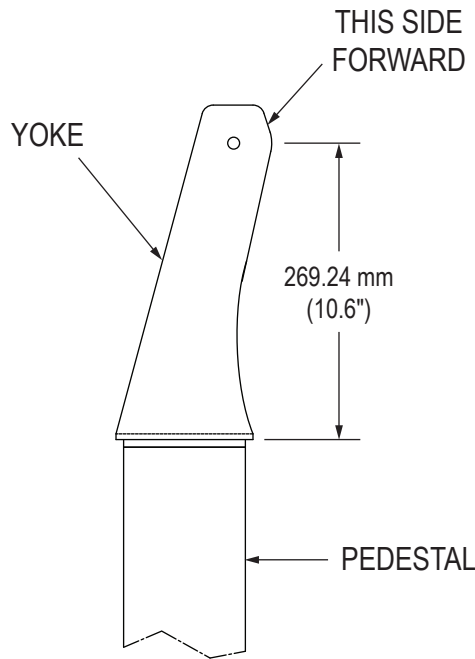


Front View

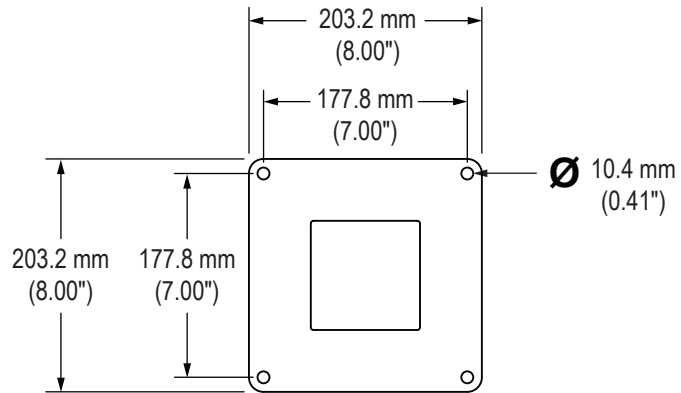


19.5" MODEL

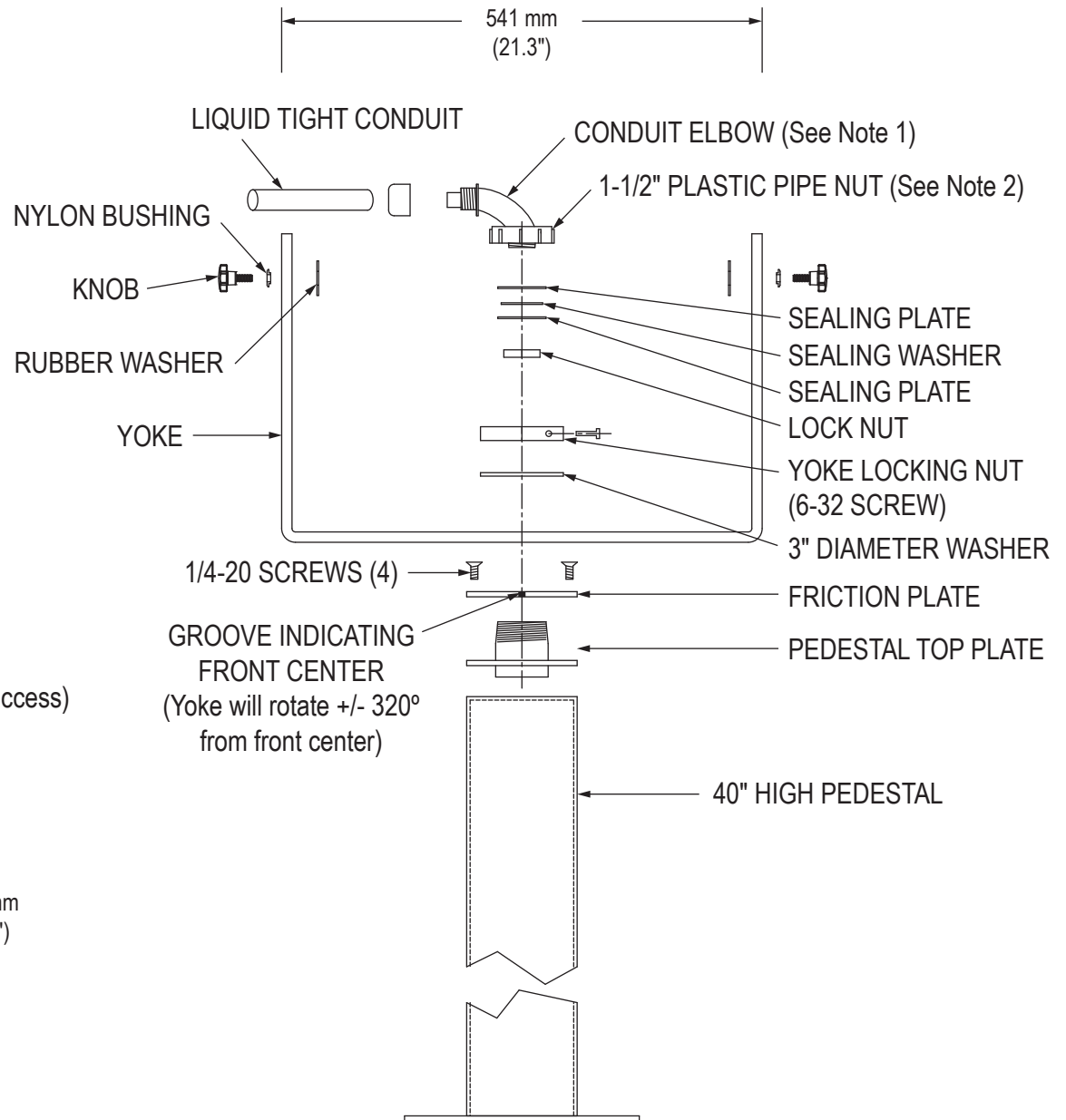
Side View



Pedestal Plate (in bottom of Pedestal for hidden cable access)



Front View



Mechanical Drawing – Yoke and Pedestal Mount



Hope Industrial Systems, Inc.

Toll Free: (877) 762-9790 · International: +1 (678) 762-9790
 UK: +44 (0) 20 7193-2618 · E-mail: support@HopeIndustrial.com

Part Number: PED4X4 series

Revision:

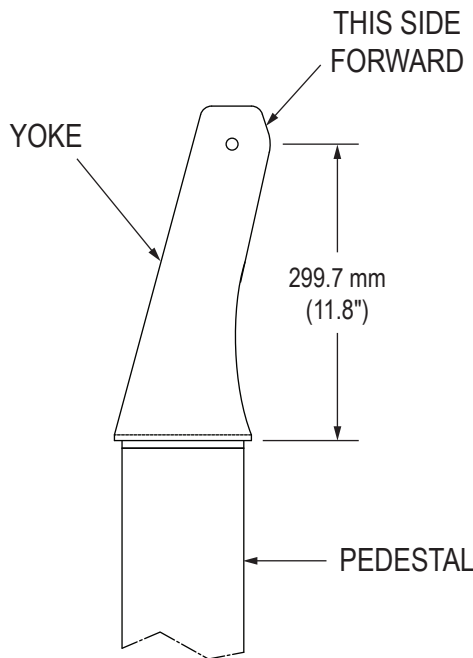
Date: 2018.08.06

Page 3 of 9

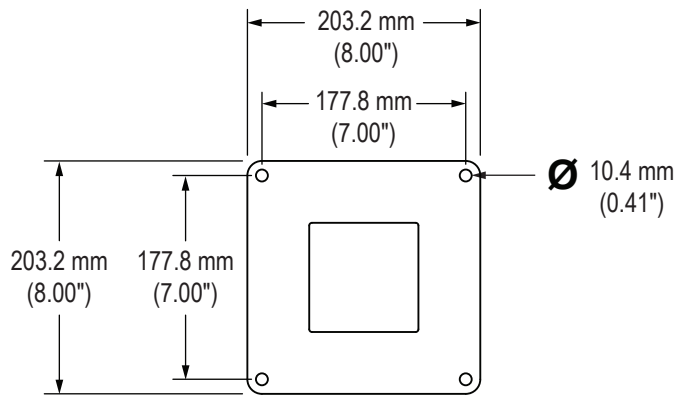
NOTES: 1) Position Conduit Elbow as shown for freedom of movement of Flexible Conduit.
 2) Tighten Plastic Pipe Nut after positioning Conduit Elbow.

22" MODEL

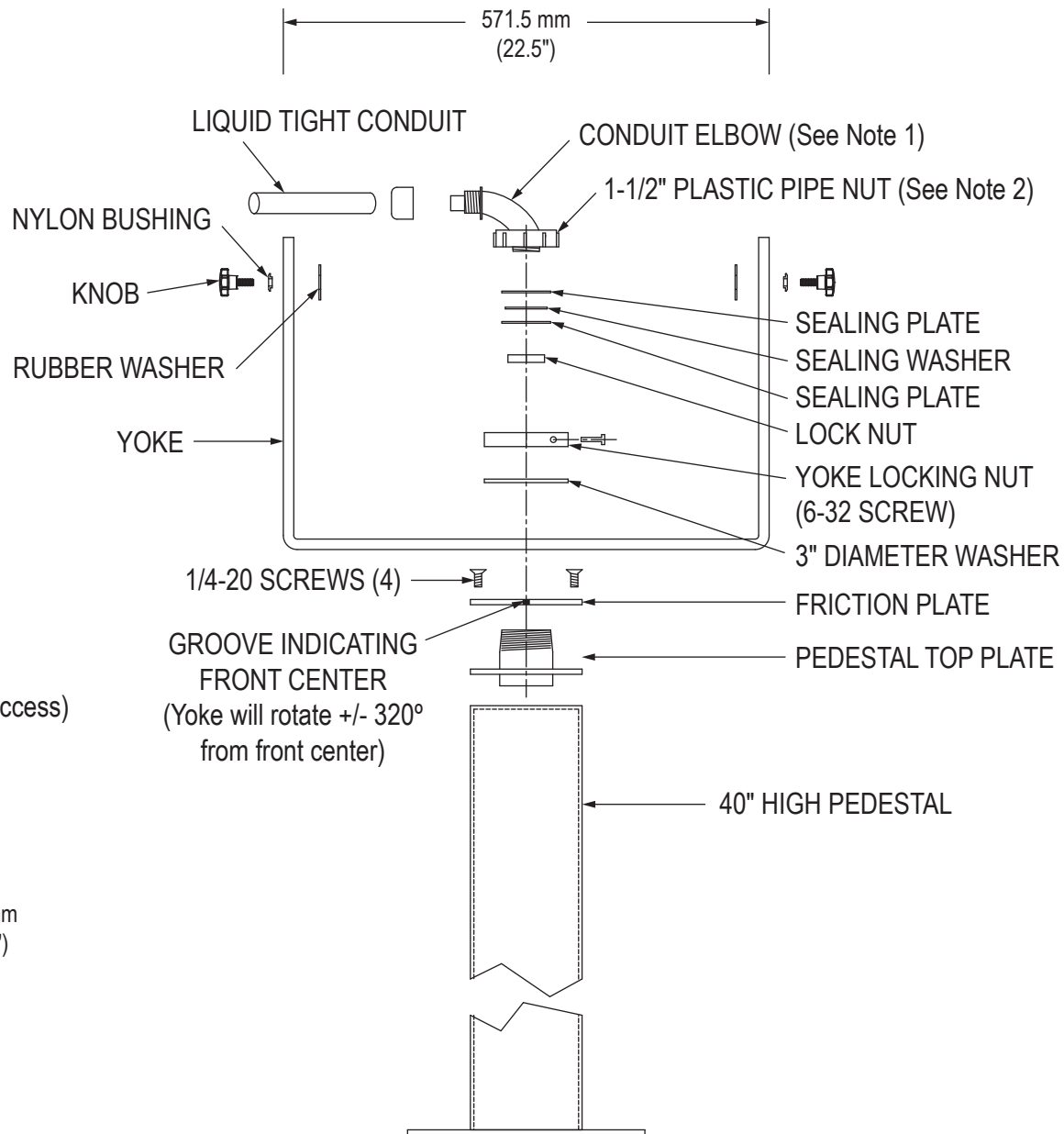
Side View



Pedestal Plate (in bottom of Pedestal for hidden cable access)



Front View



Mechanical Drawing – Yoke and Pedestal Mount

© 2019



Hope Industrial Systems, Inc.

Toll Free: (877) 762-9790 · International: +1 (678) 762-9790
 UK: +44 (0) 20 7193-2618 · E-mail: support@HopeIndustrial.com

Part Number: PED4X4 series

Revision:

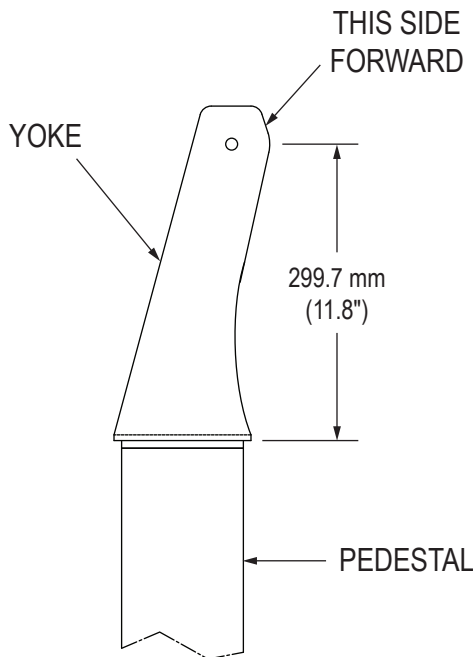
Date: 2018.08.06

Page 4 of 9

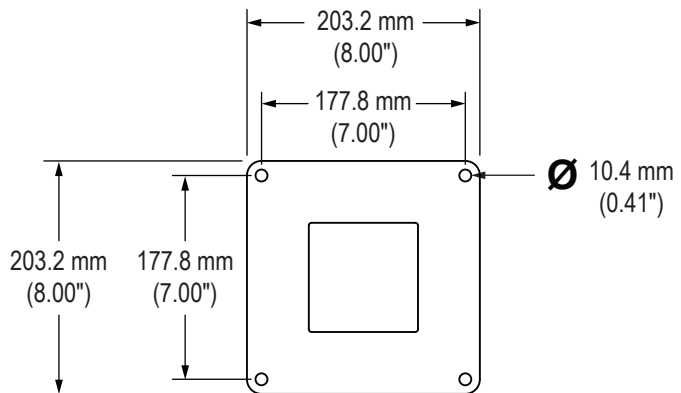
NOTES: 1) Position Conduit Elbow as shown for freedom of movement of Flexible Conduit.
 2) Tighten Plastic Pipe Nut after positioning Conduit Elbow.

23" MODEL

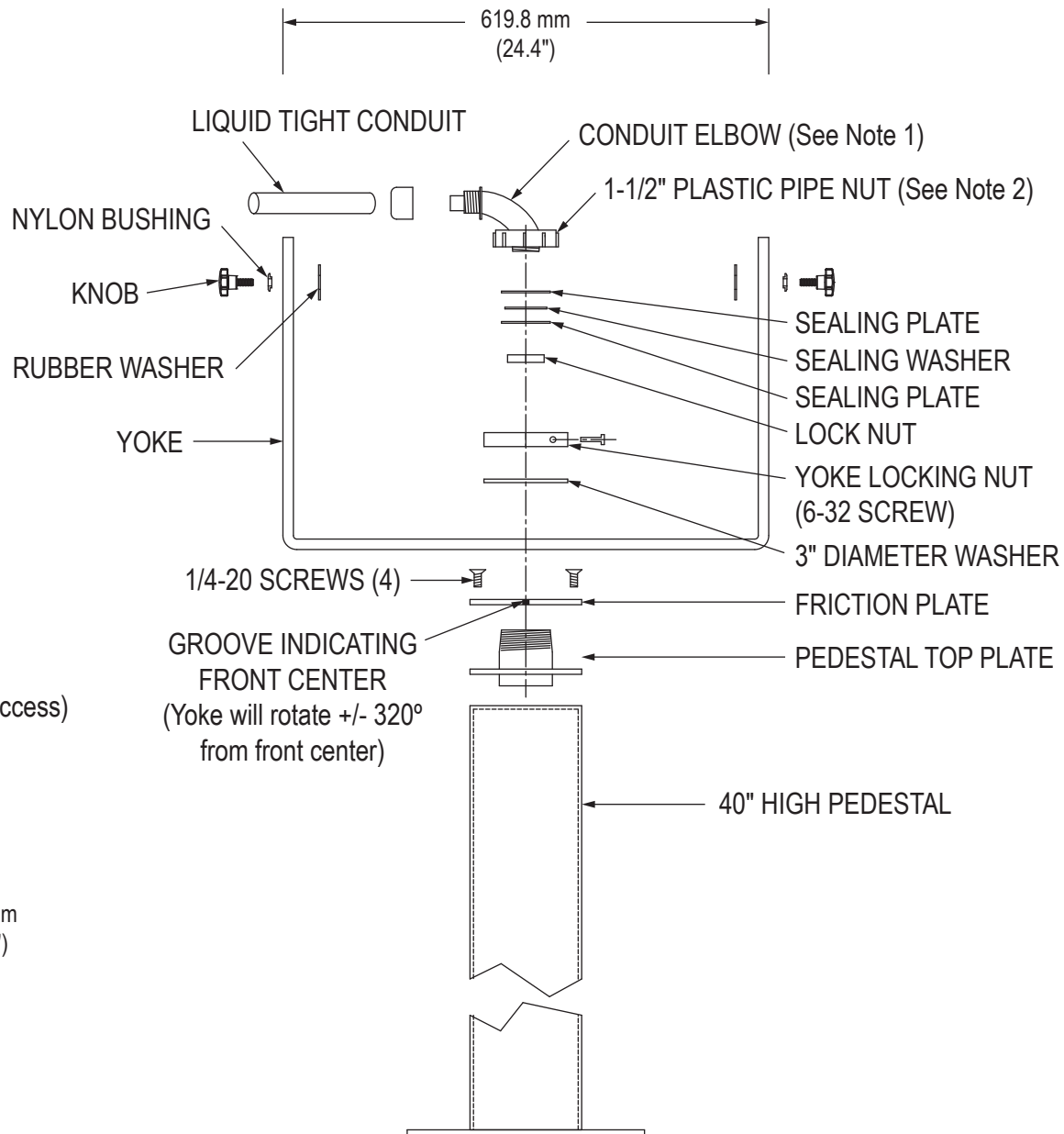
Side View



Pedestal Plate (in bottom of Pedestal for hidden cable access)



Front View



Mechanical Drawing – Yoke and Pedestal Mount

© 2019



Hope Industrial Systems, Inc.

Toll Free: (877) 762-9790 · International: +1 (678) 762-9790
 UK: +44 (0) 20 7193-2618 · E-mail: support@HopeIndustrial.com

Part Number: PED4X4 series

Revision:

Date: 2018.08.06

Page 5 of 9

NOTES: 1) Position Conduit Elbow as shown for freedom of movement of Flexible Conduit.
 2) Tighten Plastic Pipe Nut after positioning Conduit Elbow.

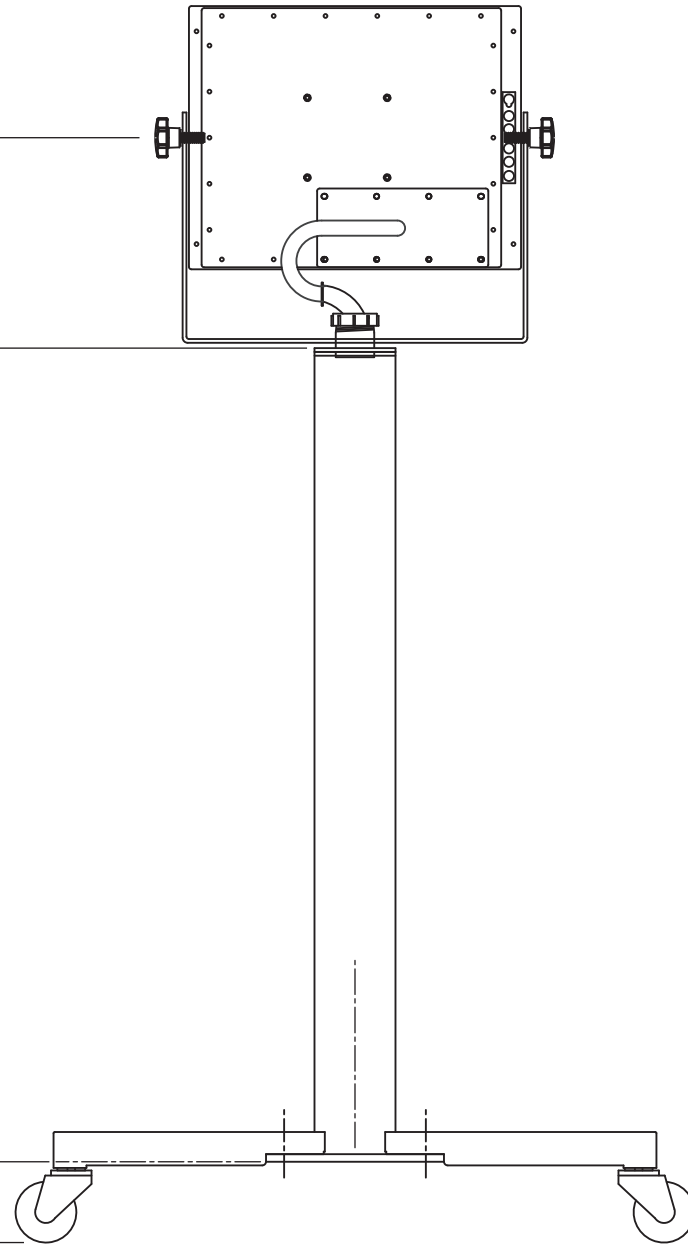
MOBL4X4-CSTR-XX FLOOR STAND (OPTIONAL)

Full Workstation

- 287 mm (11.3") for YB1517
- 317.5 mm (12.5") for YB19
- 269.24 mm (10.6") for YB19.5
- 299.7 mm (11.8") for YB22
- 299.7 mm (11.8") for YB23

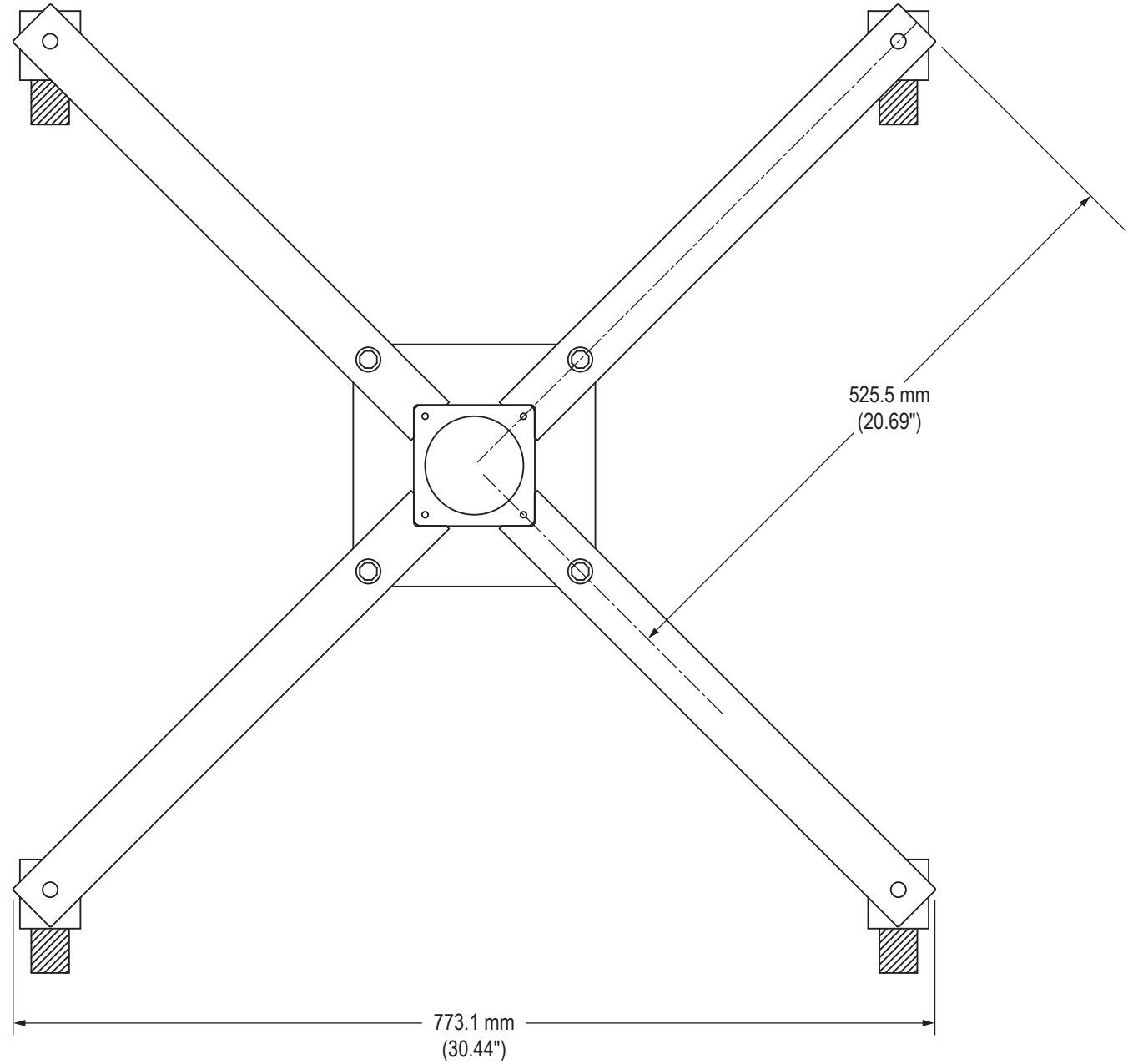
1016 mm
(40.00")

101.3 mm (4.0")
(Extra height created
by caster wheels)



MOBL4X4-CSTR-XX FLOOR STAND (OPTIONAL)

Top View



Mechanical Drawing – Yoke and Pedestal Mount

© 2019



Hope Industrial Systems, Inc.
Toll Free: (877) 762-9790 · International: +1 (678) 762-9790
UK: +44 (0) 20 7193-2618 · E-mail: support@HopeIndustrial.com

Part Number: PED4X4 series
Revision:

Date: 2018.08.06
Page 7 of 9

NOTES:

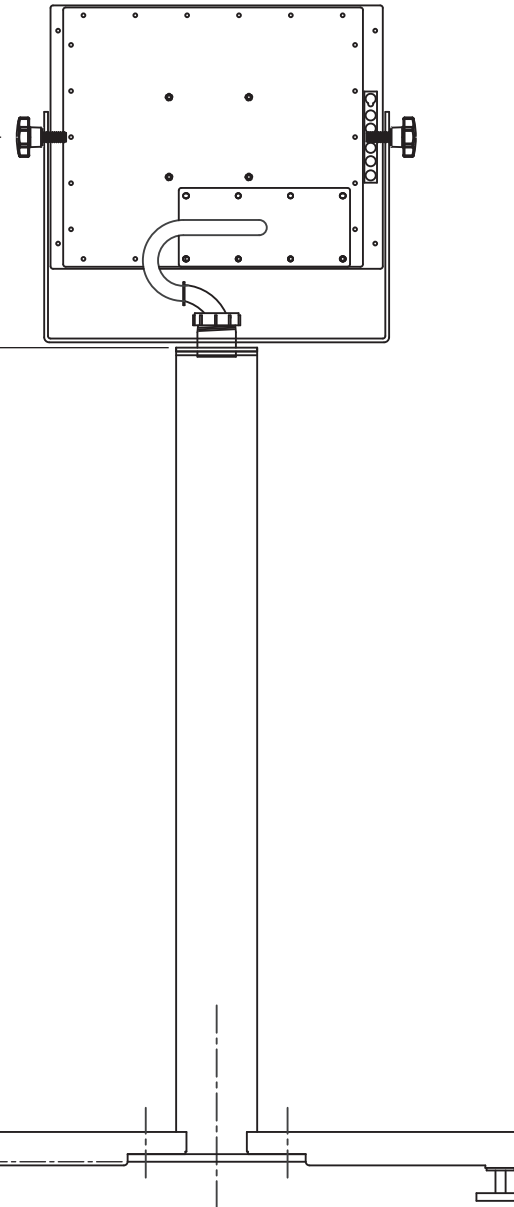
MOBL4X4-FIXD-XX FLOOR STAND (OPTIONAL)

Full Workstation

- 287 mm (11.3") for YB1517
- 317.5 mm (12.5") for YB19
- 269.24 mm (10.6") for YB19.5
- 299.7 mm (11.8") for YB22
- 299.7 mm (11.8") for YB23

1016 mm
(40.00")

38 mm to 64 mm (1.5" to 2.5")
(Extra height created by feet)

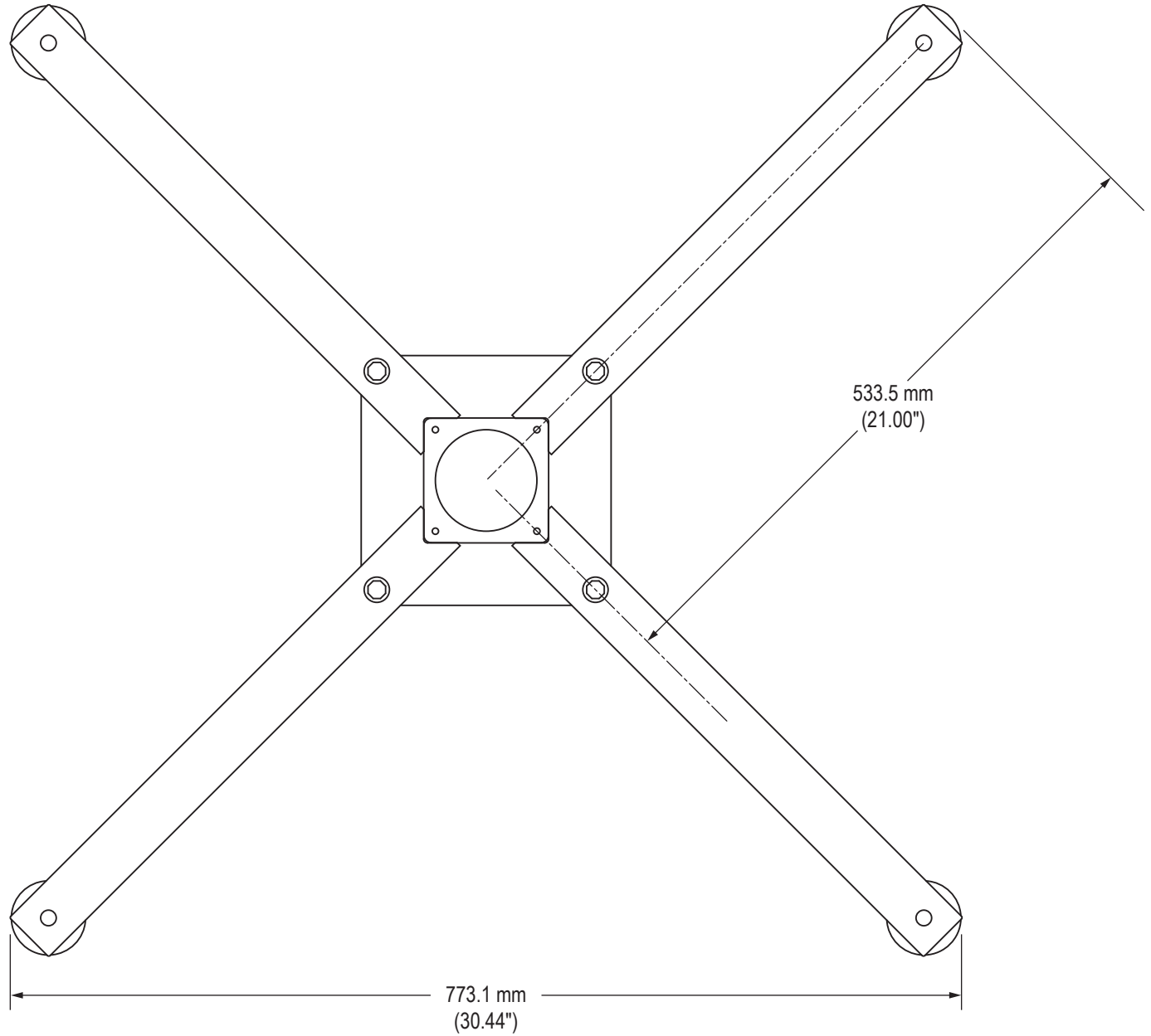


Mechanical Drawing – Yoke and Pedestal Mount



MOBL4X4-FIXD-XX FLOOR STAND (OPTIONAL)

Top View



Mechanical Drawing – Yoke and Pedestal Mount

© 2019



Hope Industrial Systems, Inc.
Toll Free: (877) 762-9790 · International: +1 (678) 762-9790
UK: +44 (0) 20 7193-2618 · E-mail: support@HopeIndustrial.com

Part Number: PED4X4 series
Revision:

Date: 2018.08.06
Page 9 of 9

NOTES: