



Installation Instructions

STA- __ Series

Fully Assembled Workstation

NOTE: This Fully Assembled Workstation is made up of components that are also sold individually. Most of these components have already been assembled for you, but we have attached the individual instruction sheets used to assemble this workstation for your reference. Please keep this material on file in case this workstation must be taken apart and reassembled in the future.

For VESA Mounted Workstation Users

1. For workstations that will be mounted using the VESA mounting pattern on the back of the display (including Hope Industrial supplied VESA mounts), follow the instructions in document 99034: "Installation Instructions: VESA Mounting Diagram for Universal Mount Monitors" which you will find in a separate plastic bag along with the supplied VESA mounting screws.
2. If you are using a KVM Extender, proceed to the section "For KVM Extender Users" below.

For Yoke or Pedestal Mounted Workstation Users

1. For pedestal mount users, prepare the mounting surface for the pedestal installation. The pedestal must be installed using appropriate hardware and methods for your selected mounting surface taking strength, cable routing, and sealing into consideration. Refer to Figure 1 to cut or drill the mounting pattern for the pedestal.

If you will be routing cables through the pedestal, continue to step 3. Otherwise, continue to step 6.

2. For workstations that will be mounted directly on a benchtop using a yoke, prepare the mounting surface and mount the yoke using the instructions in document 99027: "Installation Instructions: YB and PED4X4 Series Yoke and Benchtop/Pedestal Mounting Kit" which you will find in a separate plastic bag along with the supplied hardware. If you will be routing cables through the benchtop, continue to step 3. Otherwise, continue to step 6.
3. For both pedestal and benchtop mounts, if cables will be routed through the pedestal or benchtop, position and support the workstation near the top of the pedestal or benchtop so there is minimal distance from the base of the workstation and the mounting point.
4. Connect all cables coming from the monitor through the pedestal or benchtop.

NOTE: Connectors that do not have a locking mechanism should be tie wrapped or sheathed in heat shrink tubing to ensure they do not come loose where they are inaccessible.

5. Feed all connectors and excess cabling inside the top of the pedestal or benchtop.
6. Attach the workstation to the pedestal or benchtop using the instructions in document 99027: "Installation Instructions:

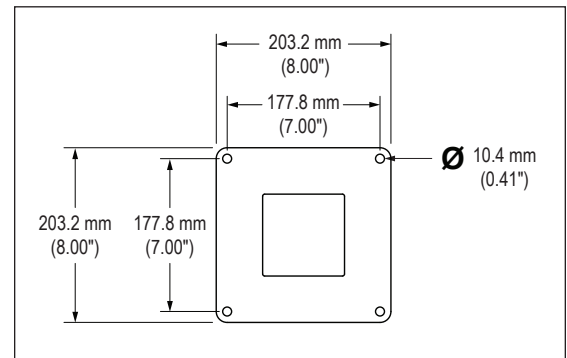


FIGURE 1 – PED4X4 PEDESTAL BASE PLATE



Fully Assembled Workstation Installation Instructions (continued)

YB and PED4X4 Series Yoke and Benchtop/Pedestal Mounting Kit" which you will find in a separate plastic bag along with the supplied hardware.

7. If you are using a KVM Extender, proceed to the section "For KVM Extender Users" below.

For KVM Extender Users

1. For workstations with a KVM2EXT installed and no keyboard, optional video image adjustments can be made with a temporary office-grade keyboard after the workstation has been installed in its permanent location. Eight screws holding the cover plate on the rear of the monitor will need to be removed to access the keyboard PS2 port or USB connector of the KVM remote unit.

If you are pleased with the quality of the image, this adjustment may be skipped.

- a. For KVM2EXT-__-__-PS2 models, the steps for video image adjustment can be found in the "Image controls" and "Skew adjustment" sections of the AdderLink X2 Dual Access manual included in the KVM packaging.
- b. For KVM2EXT-__-__-USB models, the steps for video image adjustment can be found in the "Video compensation" section of the AdderLink X-USBPRO manual included in the KVM packaging.

NOTE: Be sure to return the toggle switch on the KVM Extender to the "RUN" position when adjustments have been completed.

- c. For KVM2EXT-__-__-USB75 models, the steps for video image adjustment can be found in document 99122: "Installation Instructions: KVM2EXT-BLK-N4-USB75 or KVM2EXT-SS-N4X-USB75 Rear-Mounted USB KVM Extender" which are included in the KVM packaging.
2. After completing the image adjustments, unplug the temporary keyboard and reinstall the cover plate. Reinstall the eight sealing screws and tighten evenly until the gasket on the cover plate is 1/16" to 3/32" thick. Ensure both the hard washer and the soft washer are used under each screw.