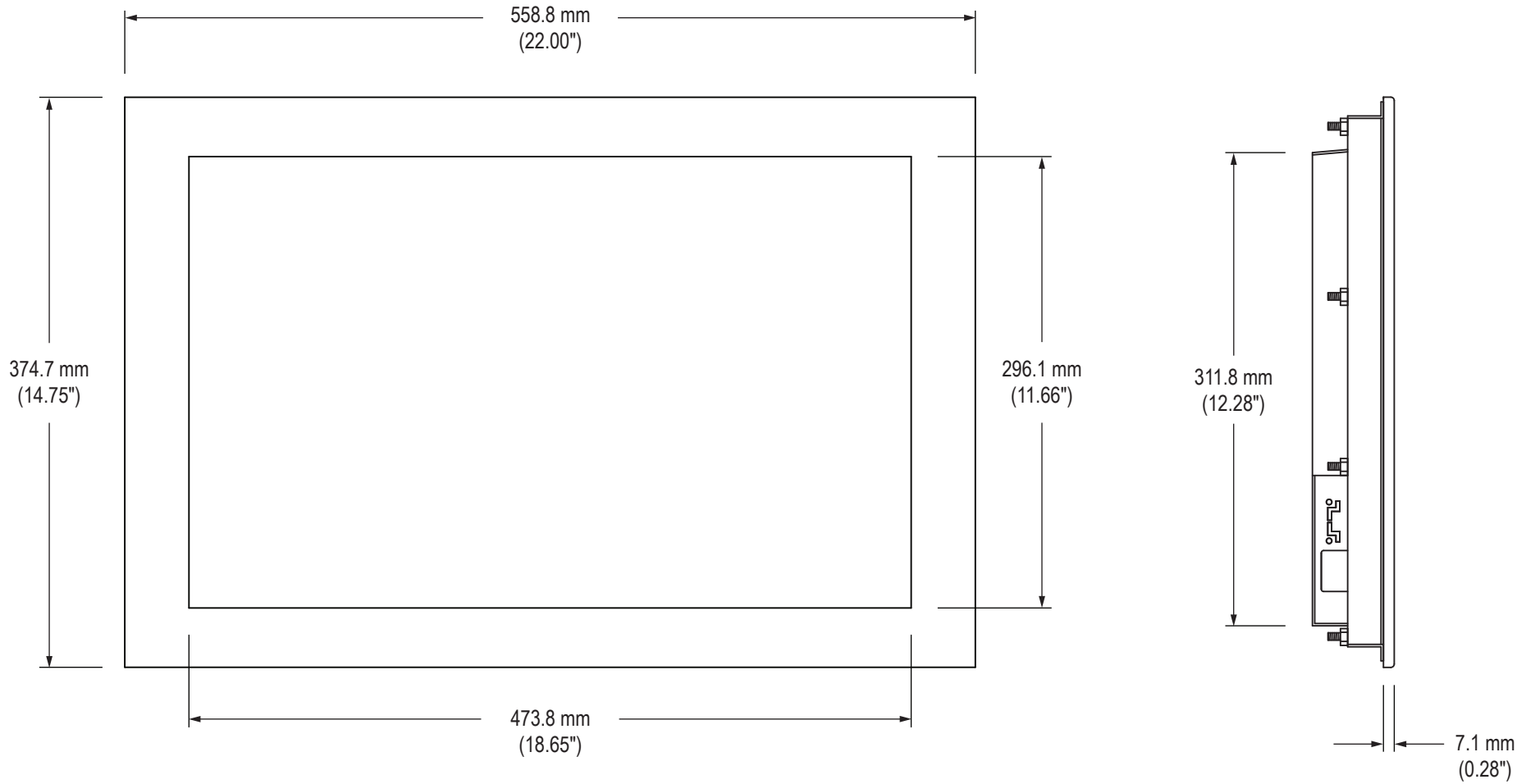
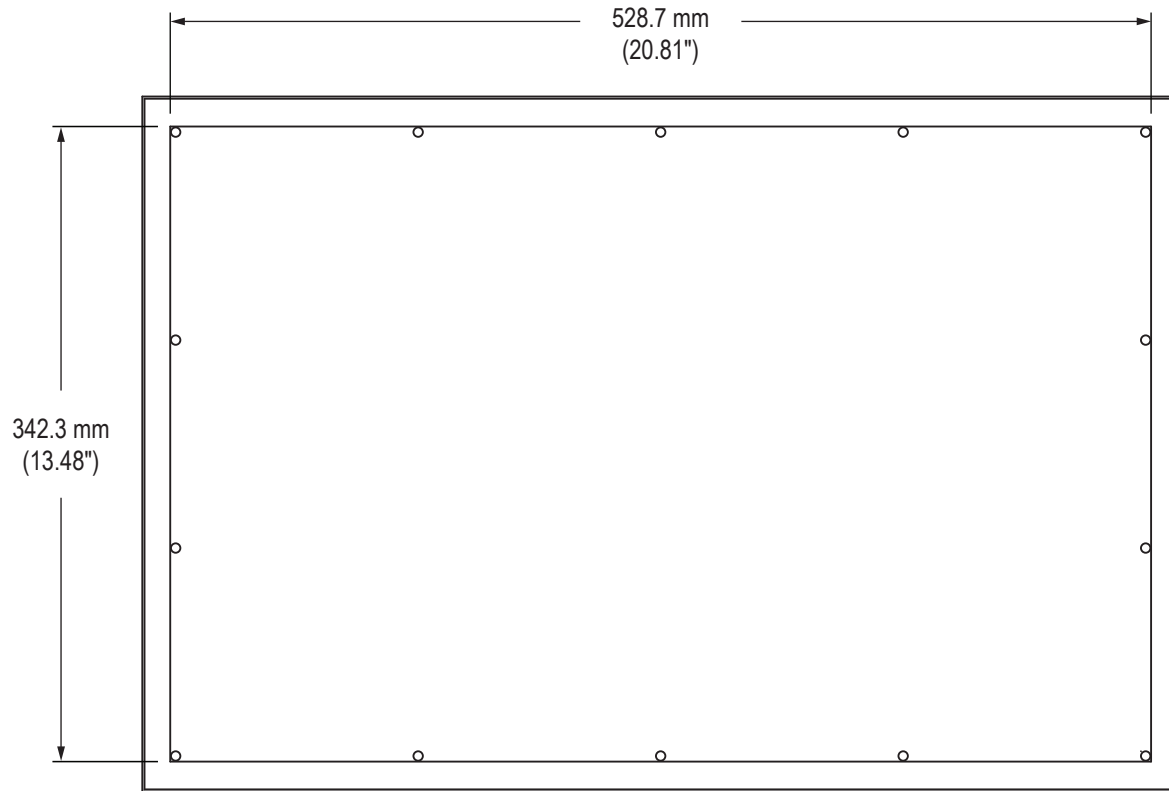


Front View

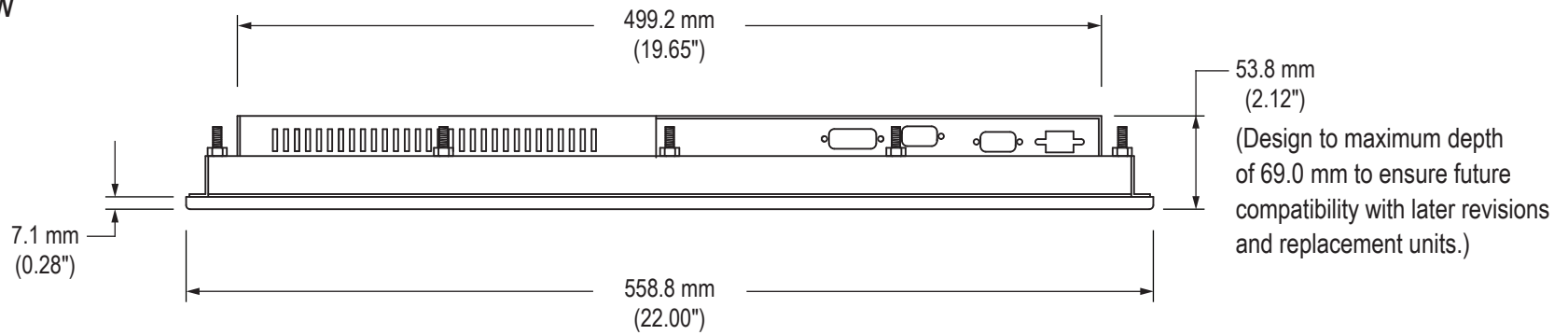
Side View



### Rear View (showing Cutout Dimensions)



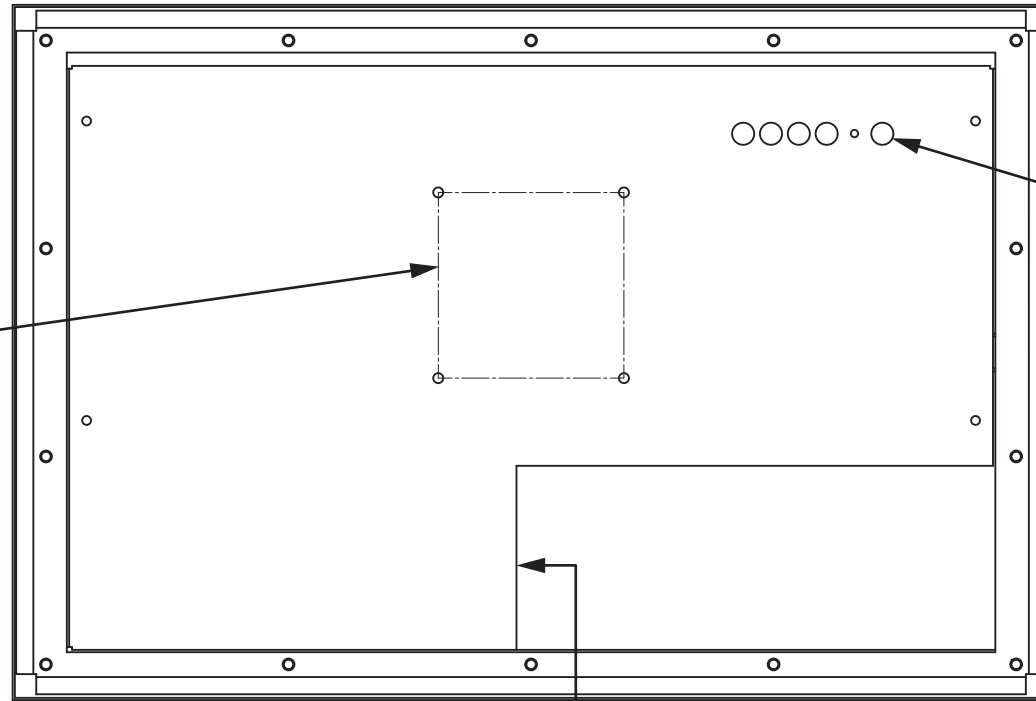
### Bottom View



## Cable Connections

### Rear View

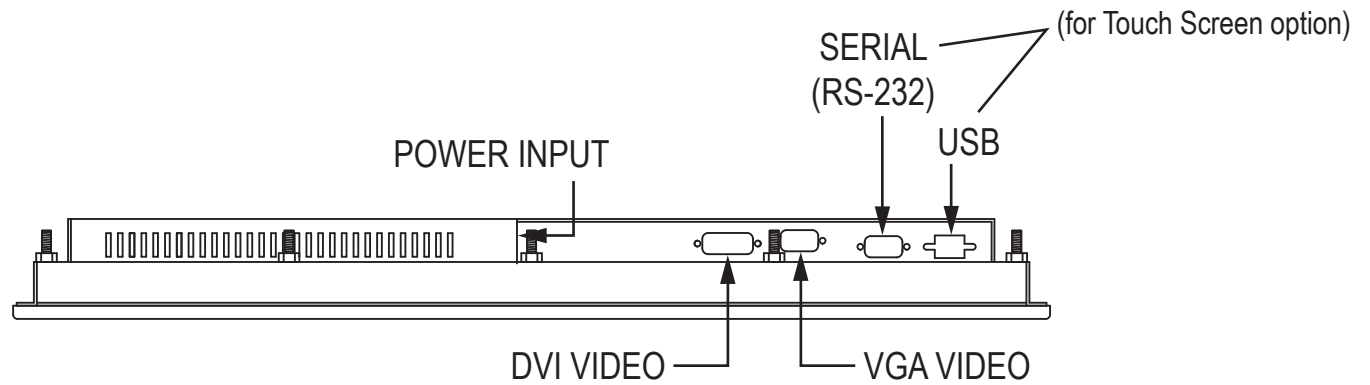
100 mm VESA  
MOUNTING PATTERN  
(M4 SCREWS PROVIDED,  
16 mm MAXIMUM DEPTH  
OF SCREW)



CONTROL PANEL  
BUTTONS

POWER INPUT

### Bottom View



POWER INPUT

SERIAL  
(RS-232)

(for Touch Screen option)

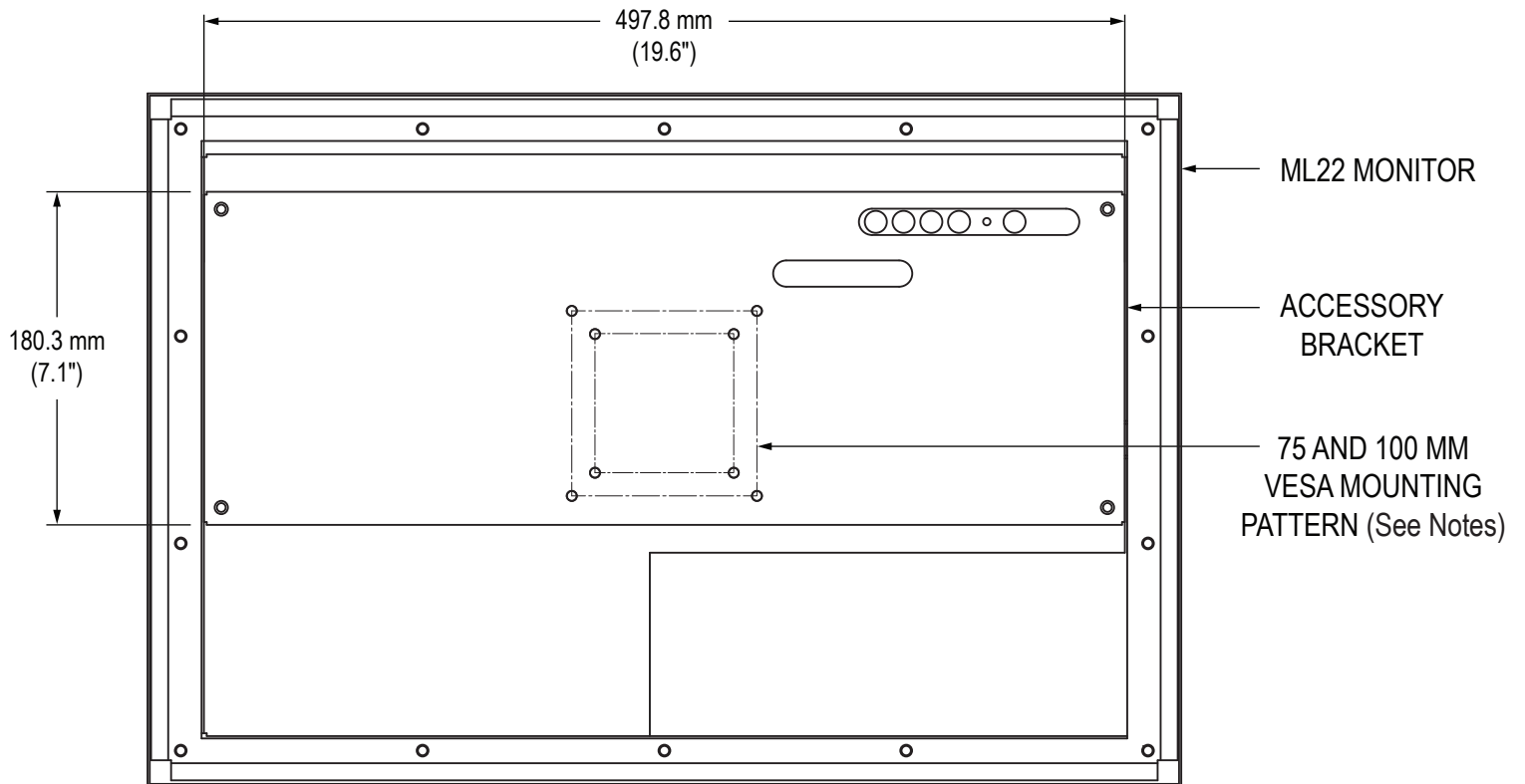
USB

DVI VIDEO

VGA VIDEO

# VB-22A Accessory Mounting Bracket

Rear View



Bottom View

