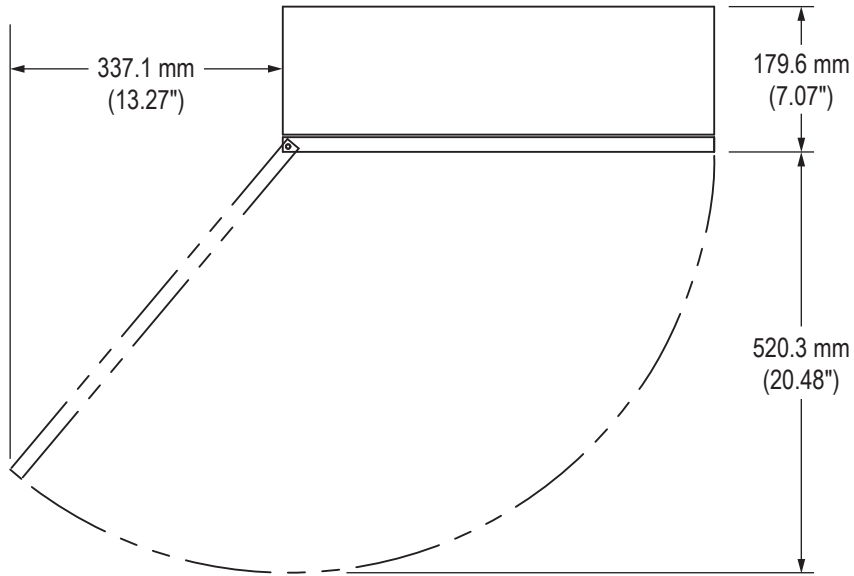
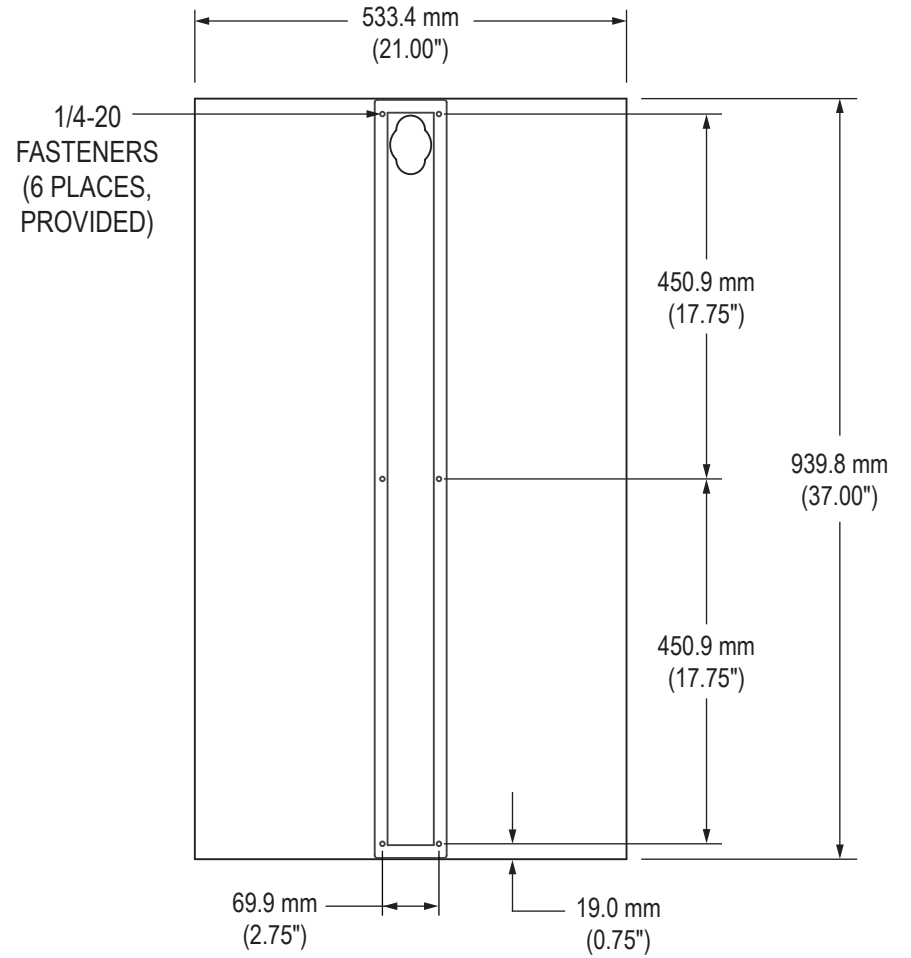


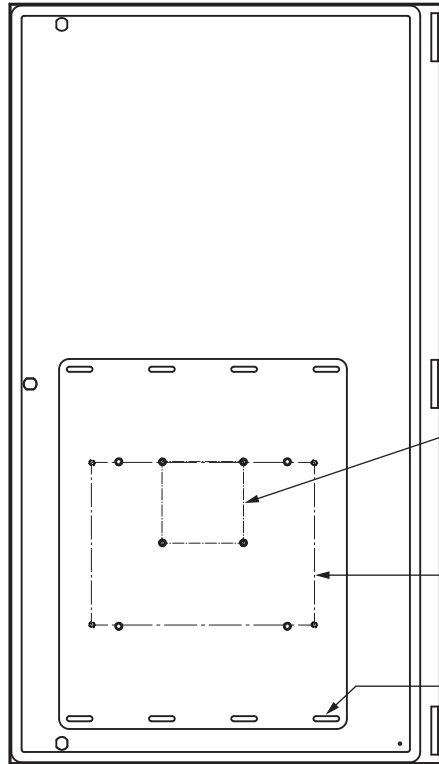
Top View (showing clearance required for door)



Rear View



Inside View of Access Door

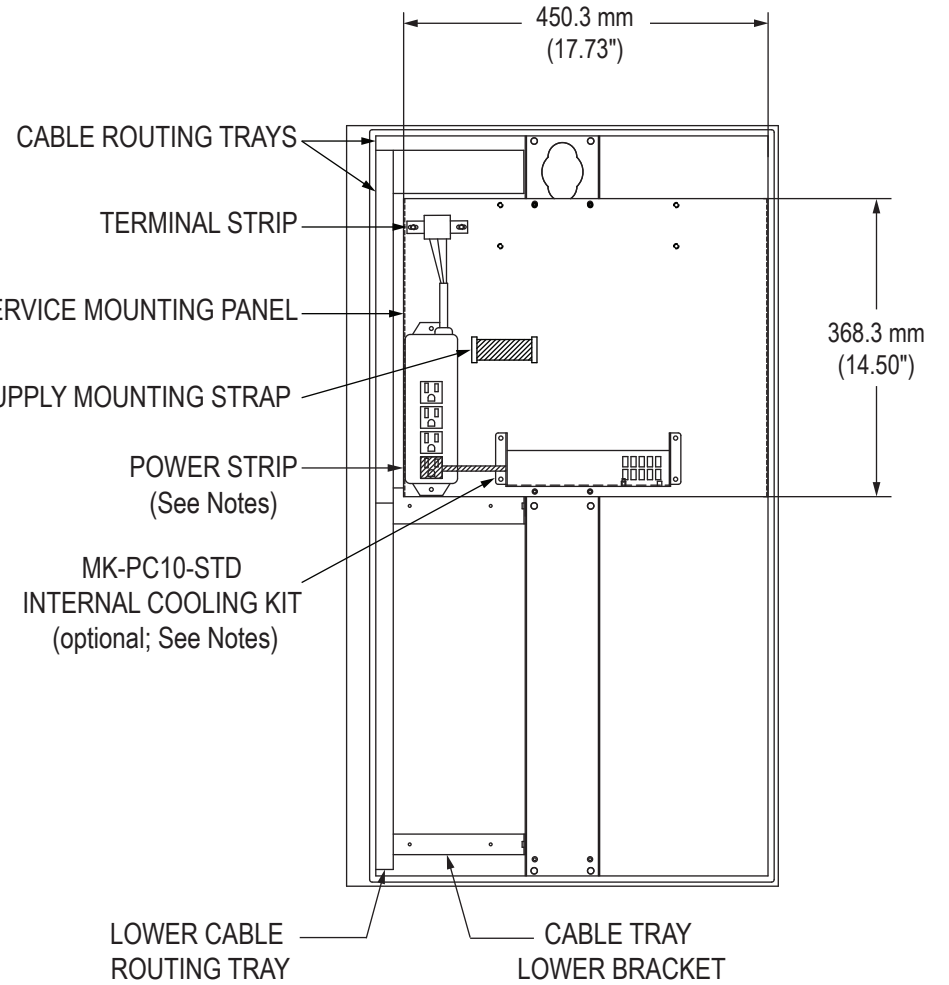


100 mm VESA
MOUNTING PATTERN

DELL BOX PC 5000
MOUNT POINTS
(USE DELL 575-BBKC
MOUNTING BRACKET)

LEFT/RIGHT ADJUSTMENT
SLOTS (8 PLACES)

Inside View of Enclosure



CABLE ROUTING TRAYS

TERMINAL STRIP

INTERNAL SERVICE MOUNTING PANEL

POWER SUPPLY MOUNTING STRAP

POWER STRIP
(See Notes)

MK-PC10-STD
INTERNAL COOLING KIT
(optional; See Notes)

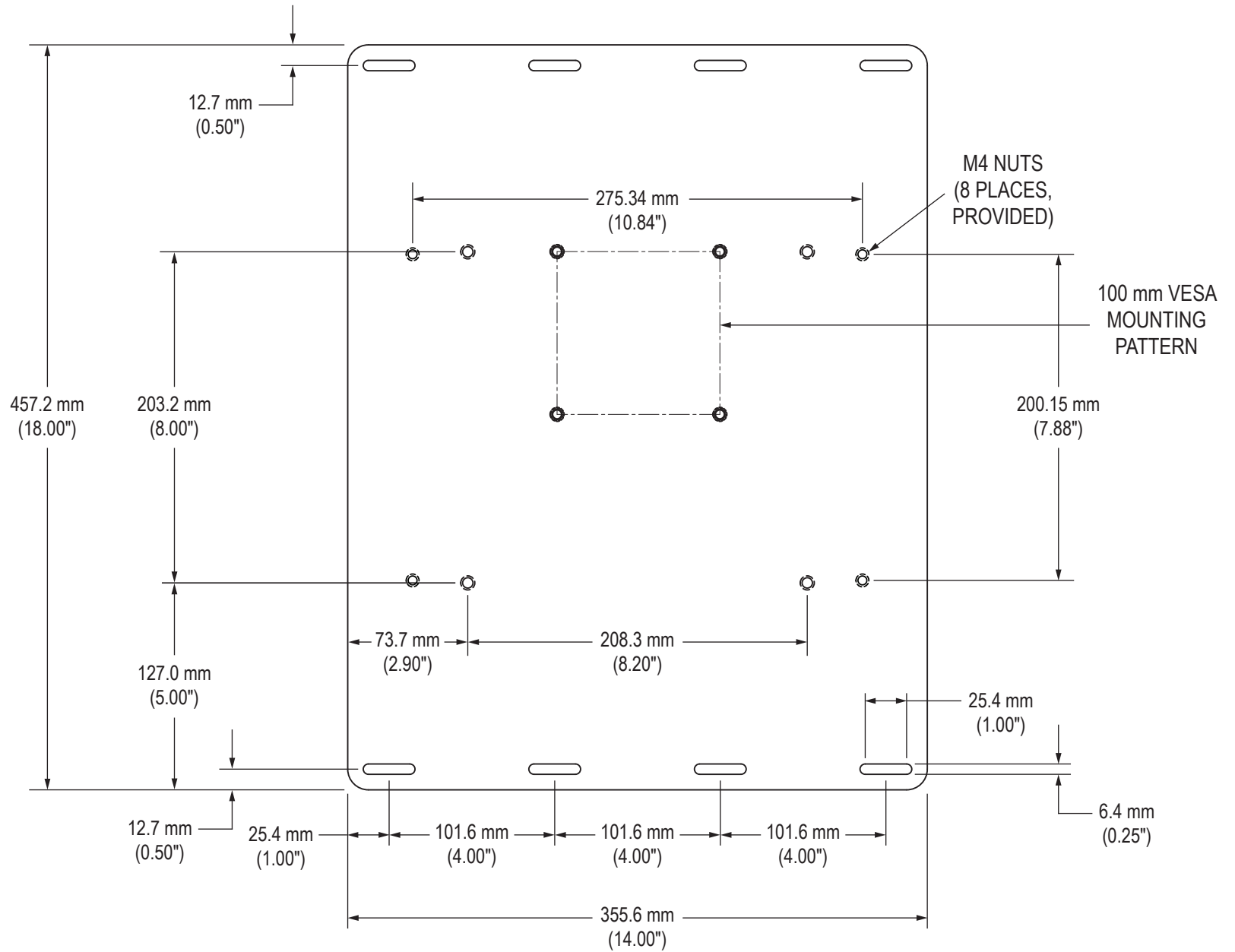
LOWER CABLE
ROUTING TRAY

CABLE TRAY
LOWER BRACKET

450.3 mm
(17.73")

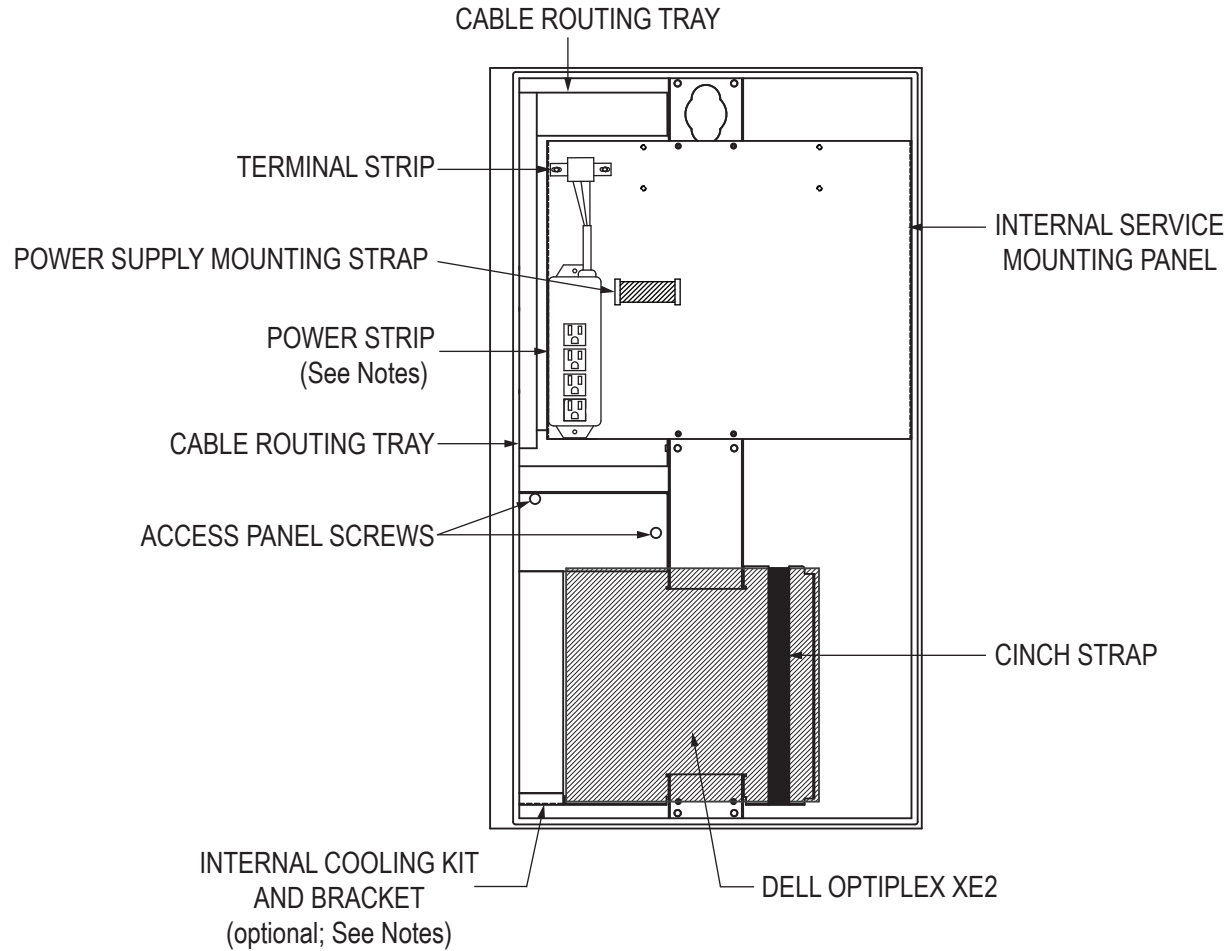
368.3 mm
(14.50")

Close-up showing measurements of Access Door Mounting Bracket



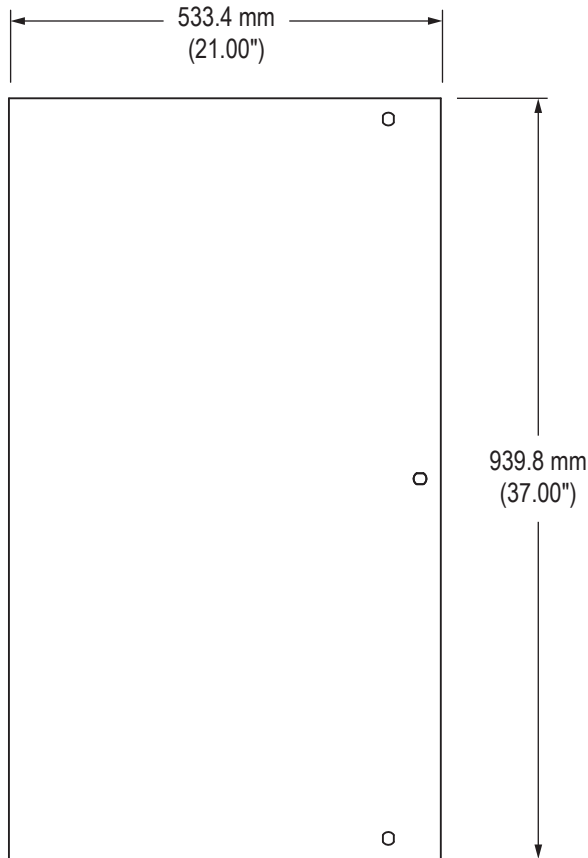
DELL OPTIPLEX XE2 FAN KIT (MK-PC10-DELLXE2)

Inside View of Enclosure

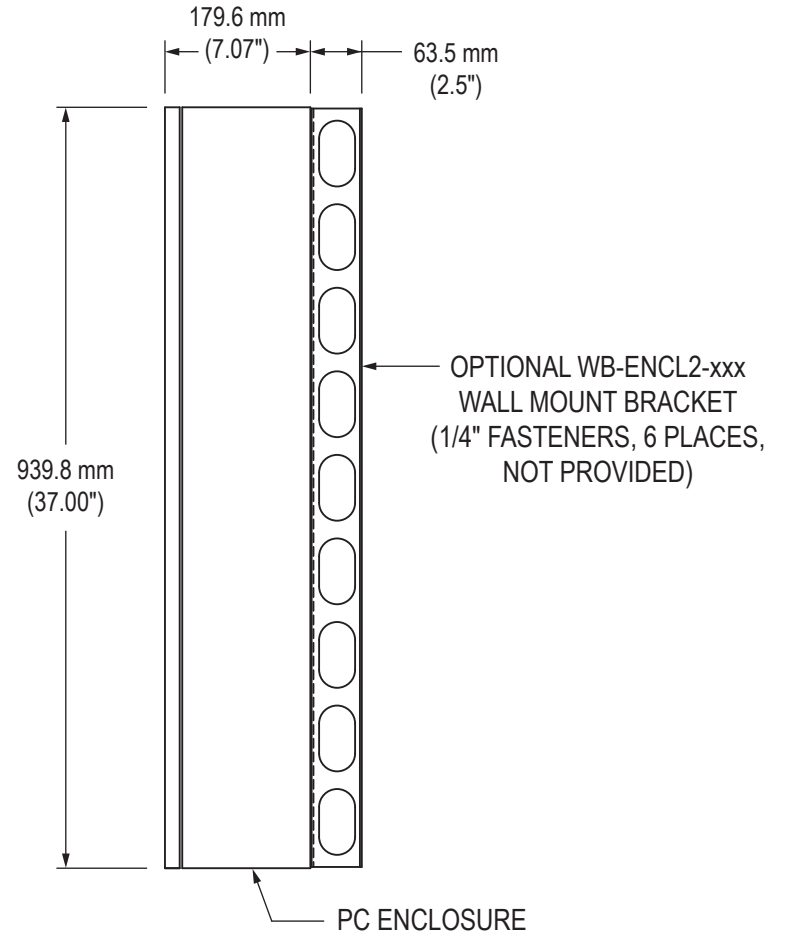


WALL MOUNTING BRACKET

Front View of Enclosure

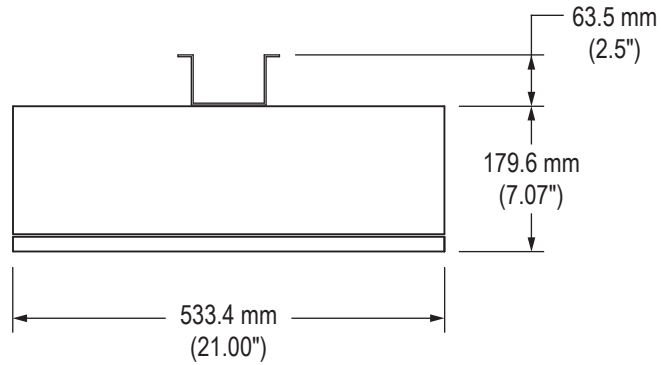


Side View

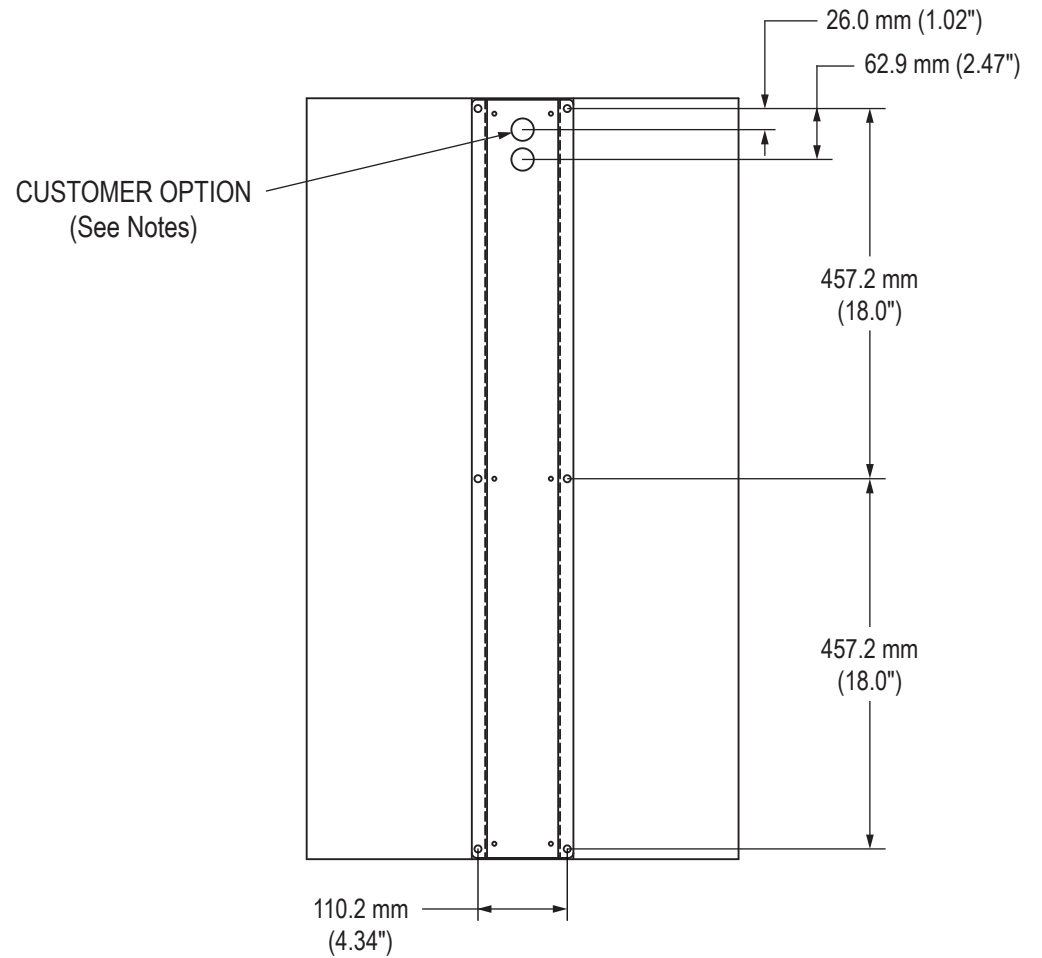


WALL MOUNTING BRACKET

Top View

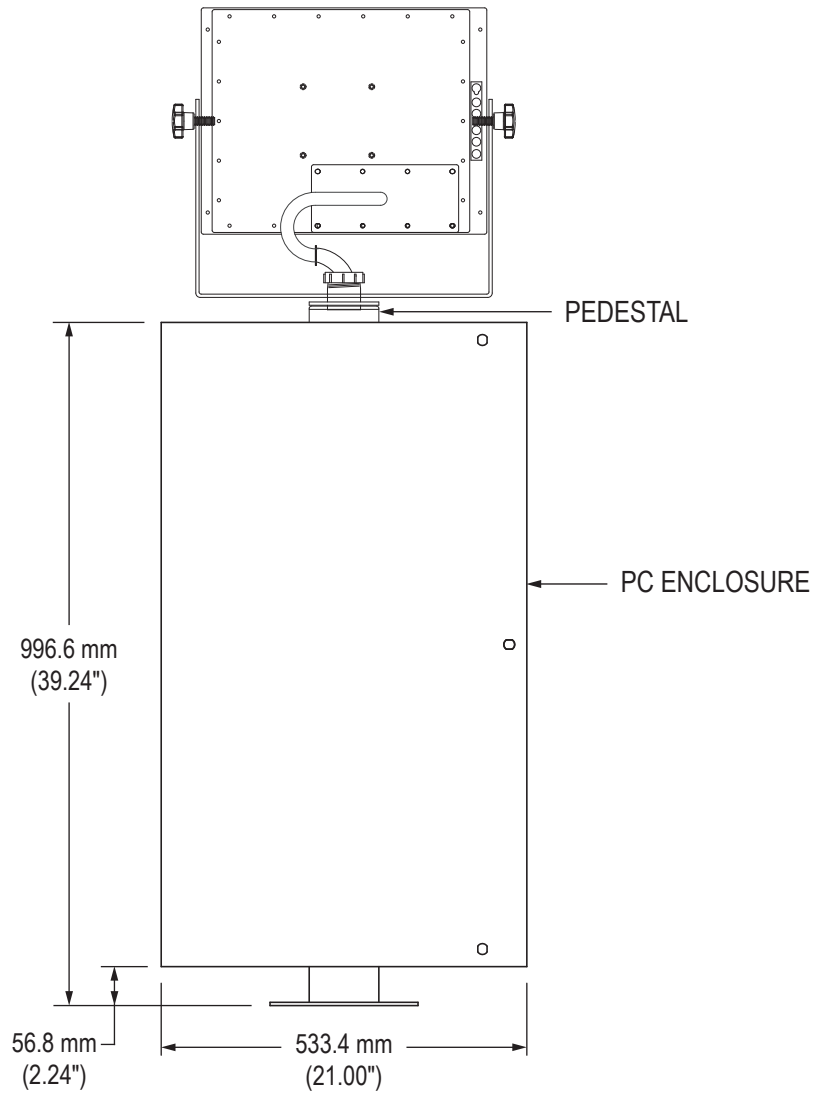


Rear View



MOUNTED ON PED4X4

Rear View



Side View

