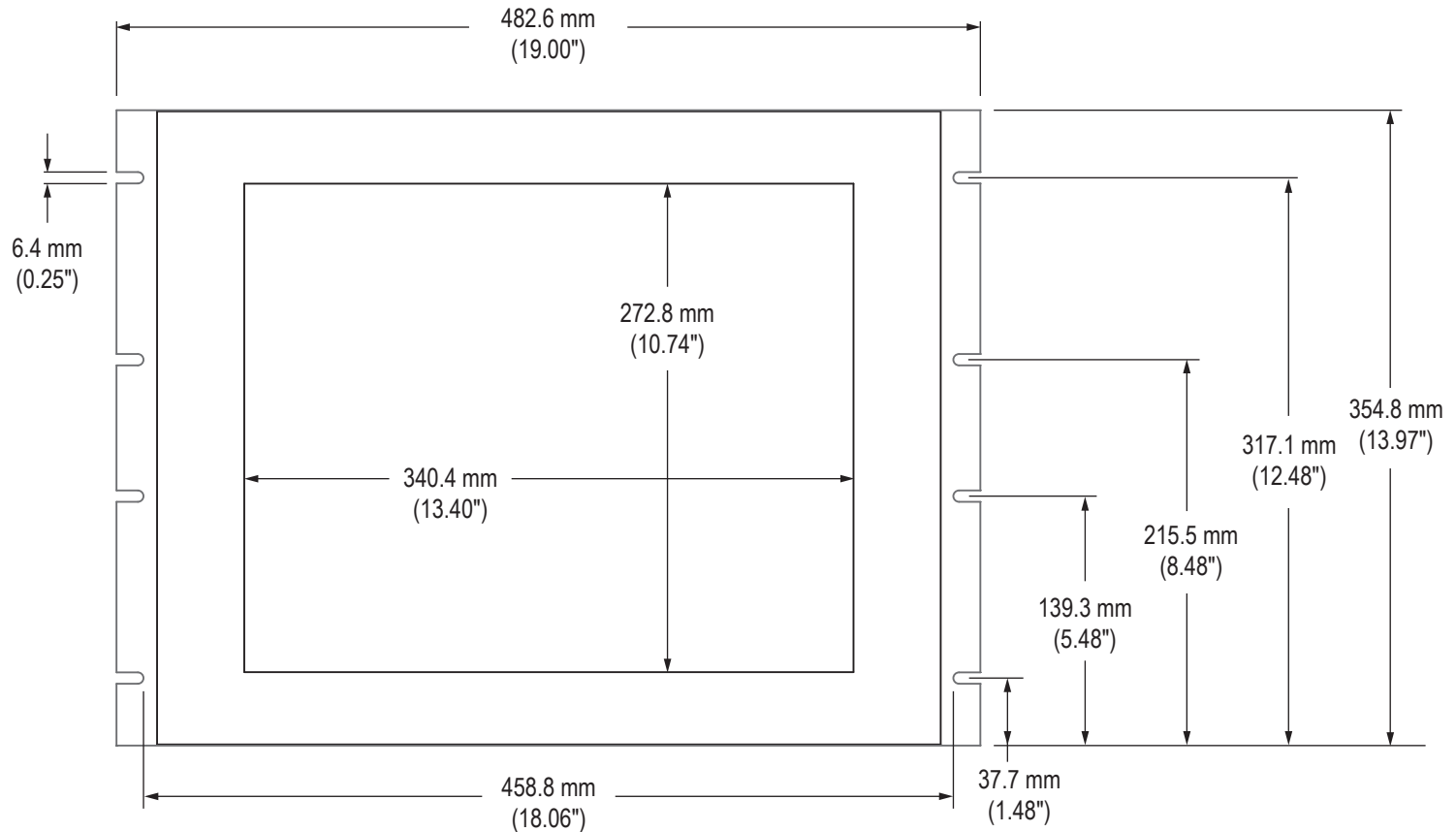
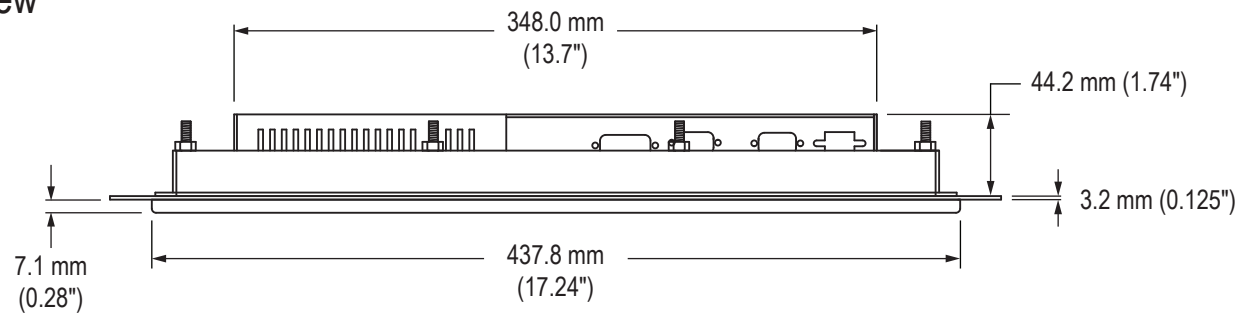


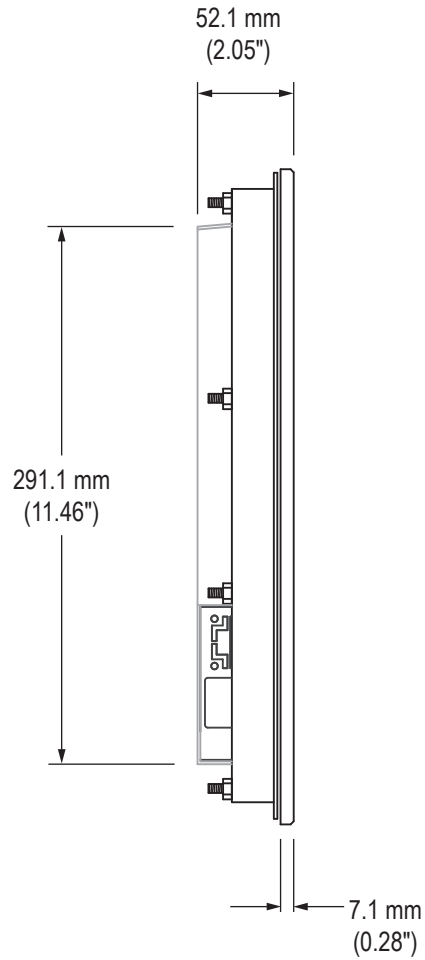
Front View



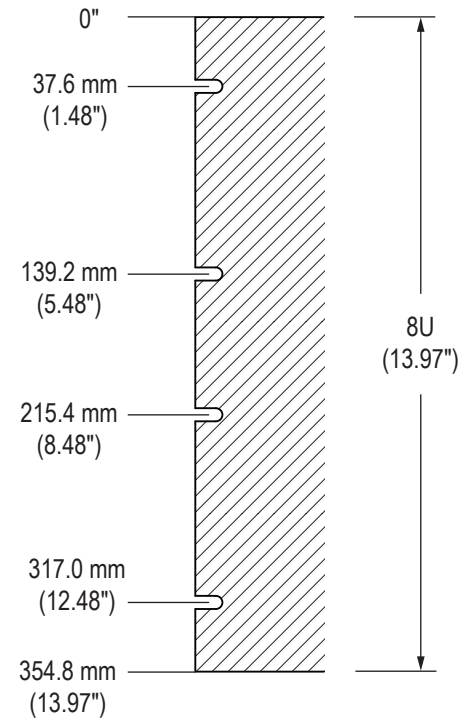
Bottom View



Side View

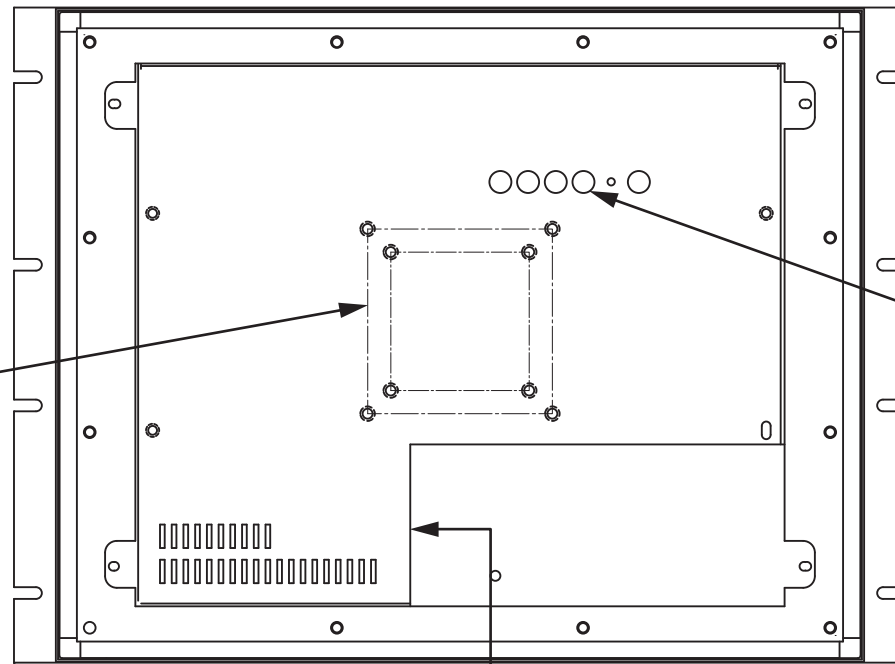


Panel Height



Cable Connections Rear View

75 and 100 mm VESA
MOUNTING PATTERN
(M4 SCREWS PROVIDED,
16 mm MAXIMUM DEPTH
OF SCREW)



CONTROL PANEL
BUTTONS

POWER INPUT

Bottom View

