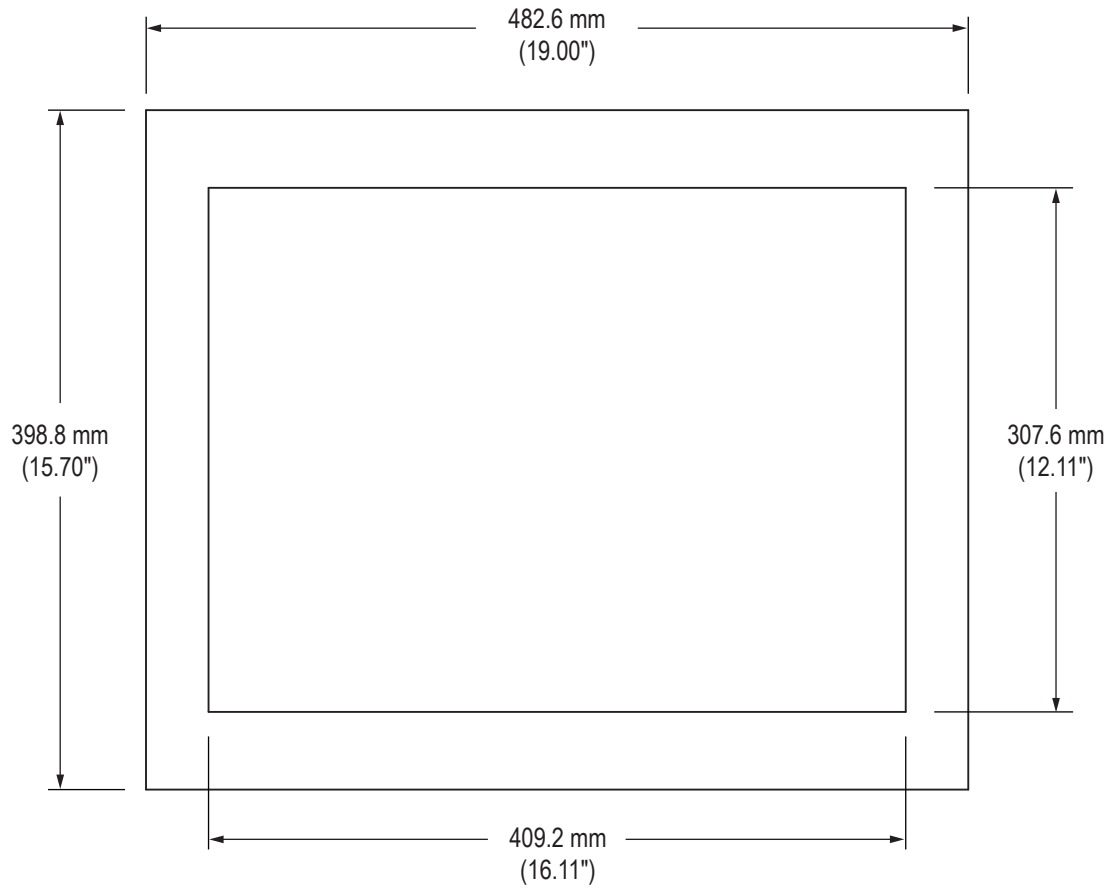
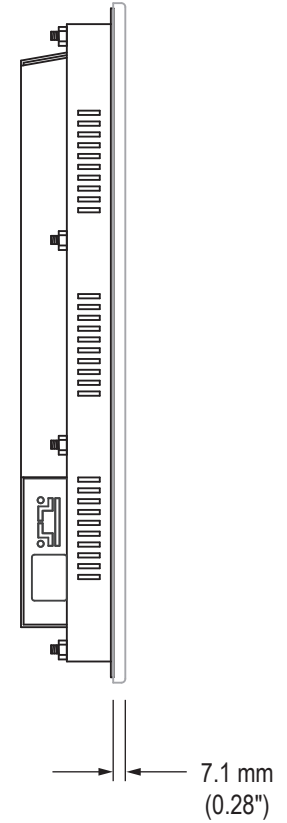


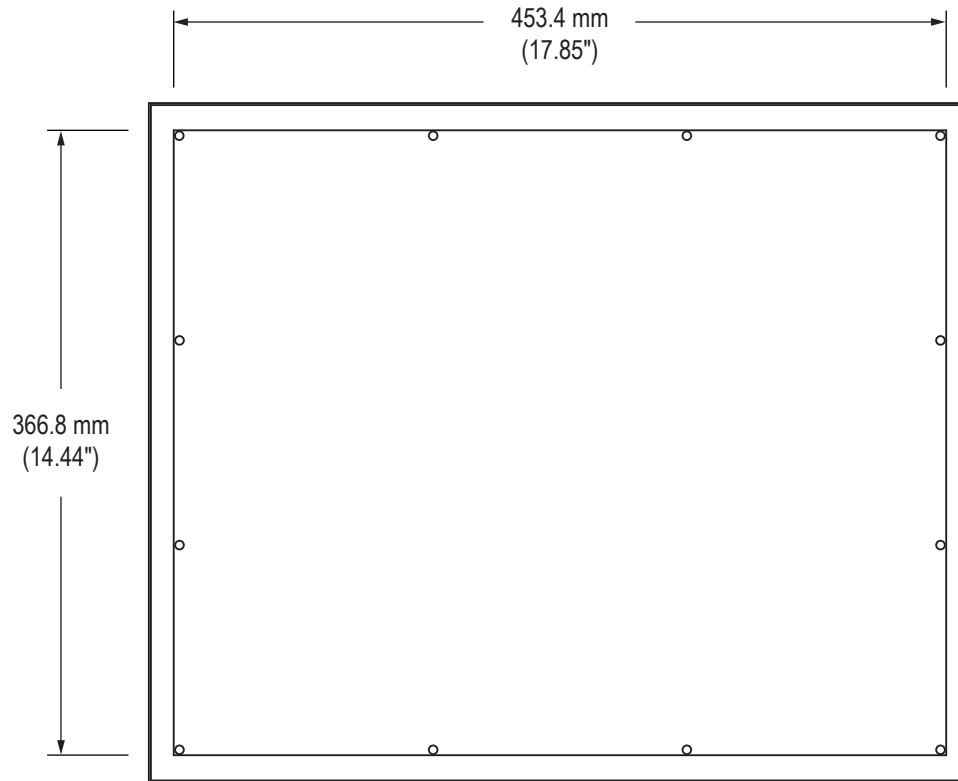
Front View



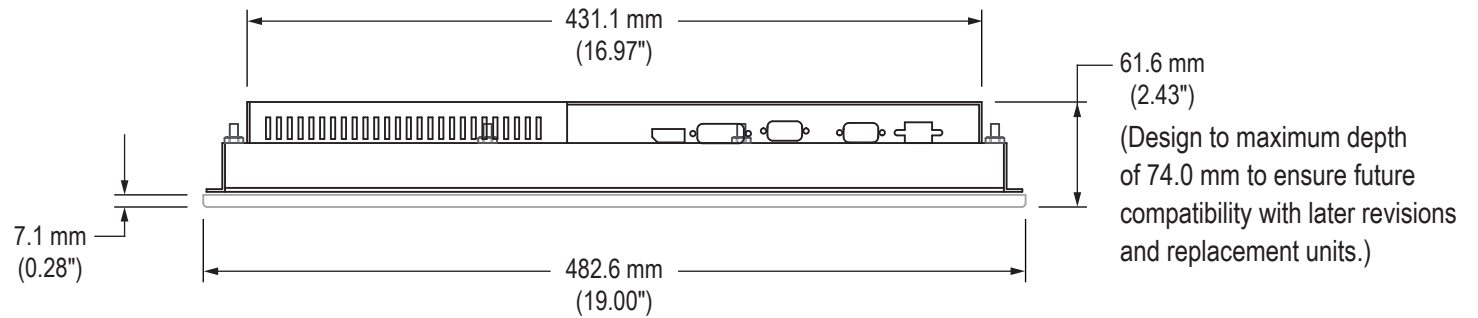
Side View



### Rear View (showing Cutout Dimensions)

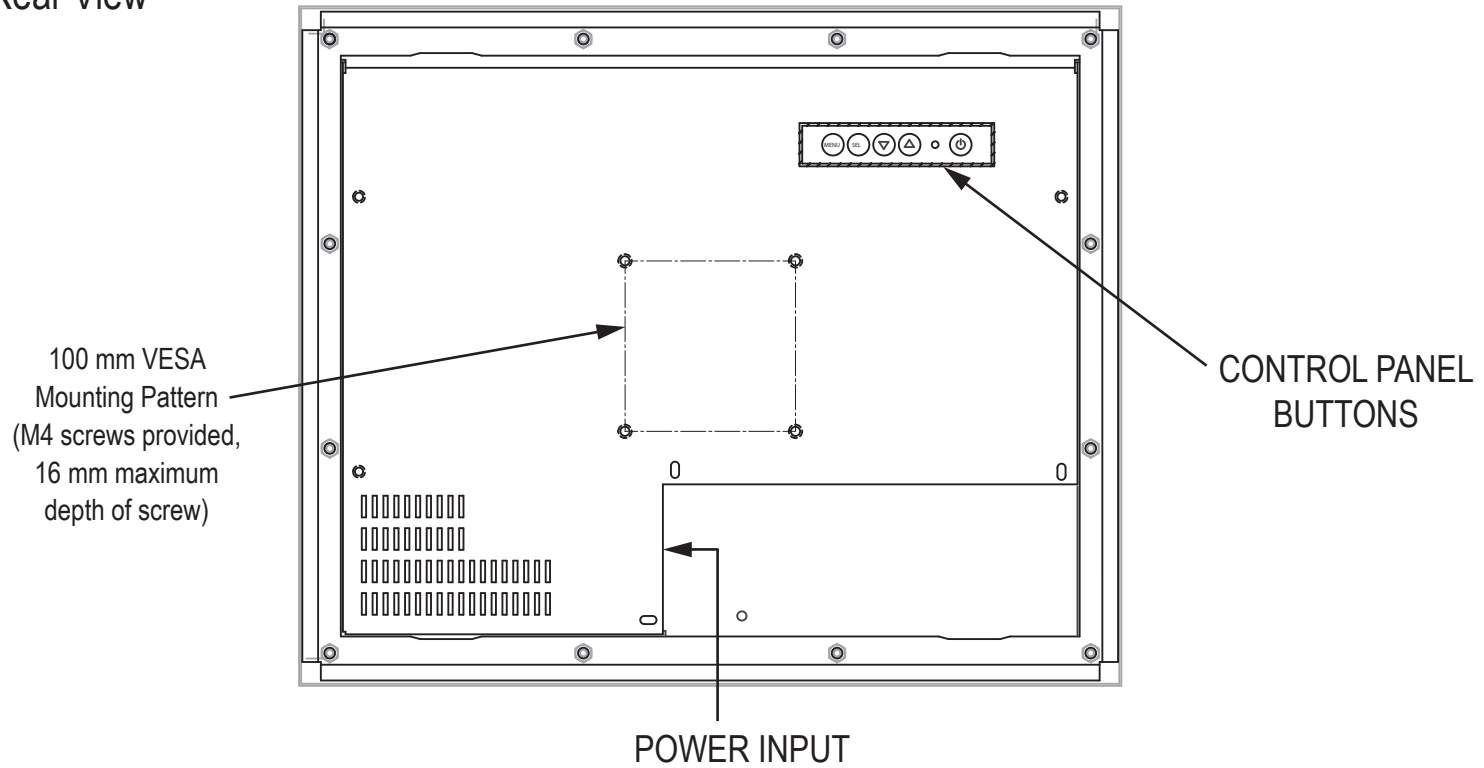


### Bottom View

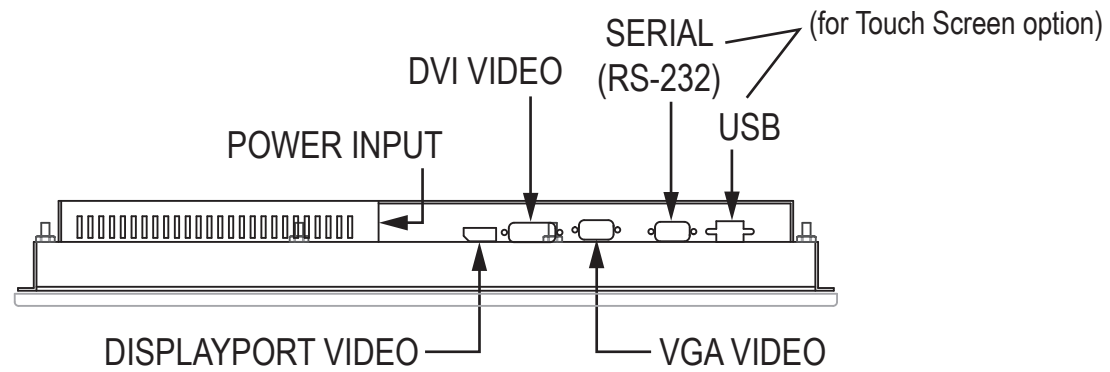


## Cable Connections

### Rear View

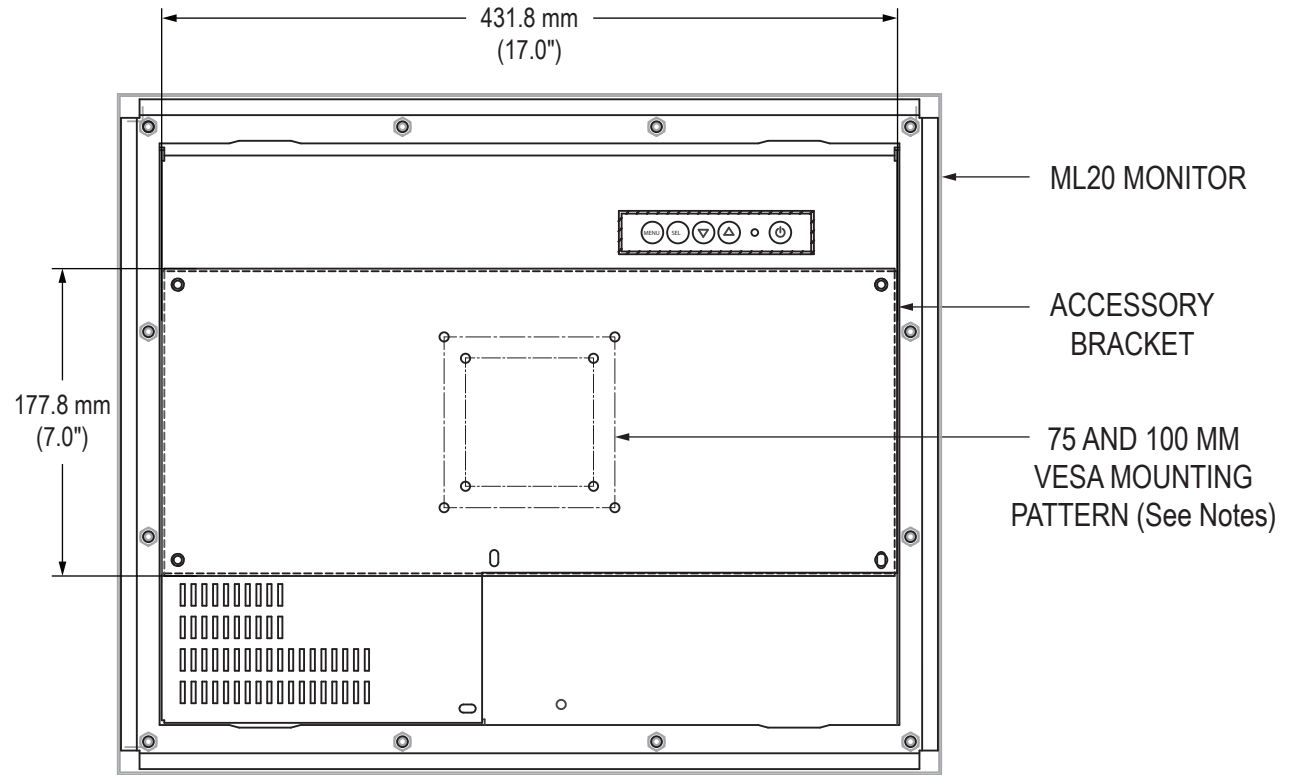


### Bottom View



# VB-20A Accessory Mounting Bracket

## Rear View



## Bottom View

