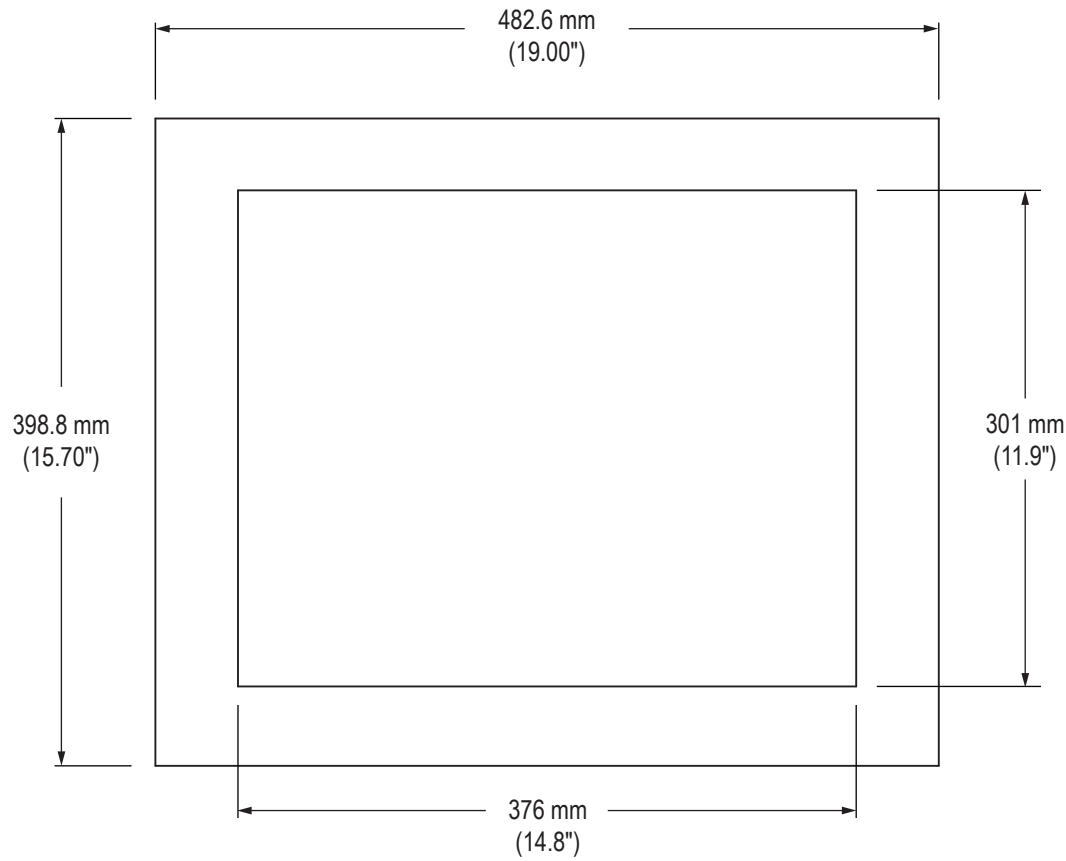
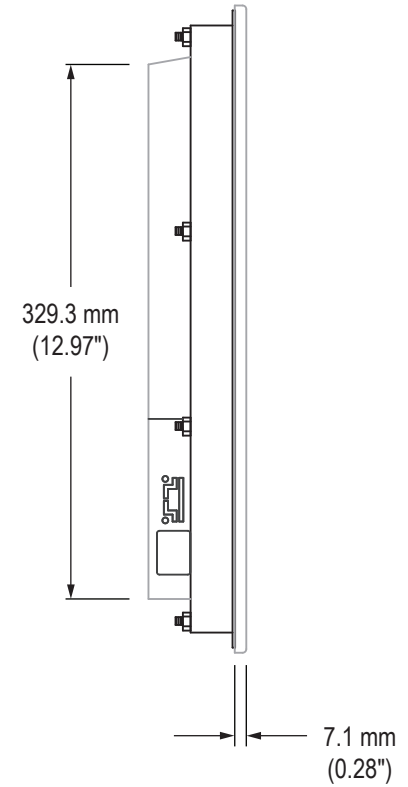


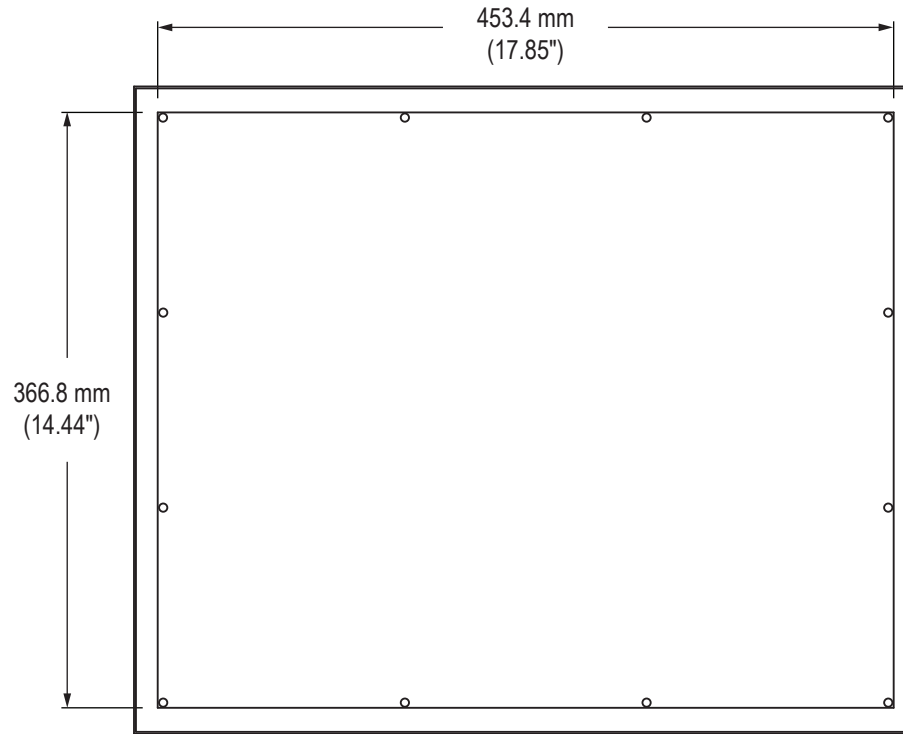
Front View



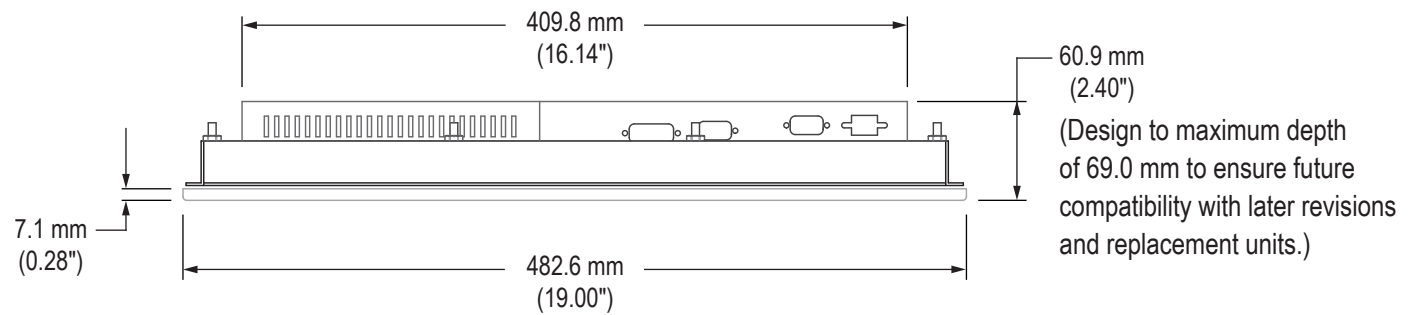
Side View



Rear View (showing Cutout Dimensions)

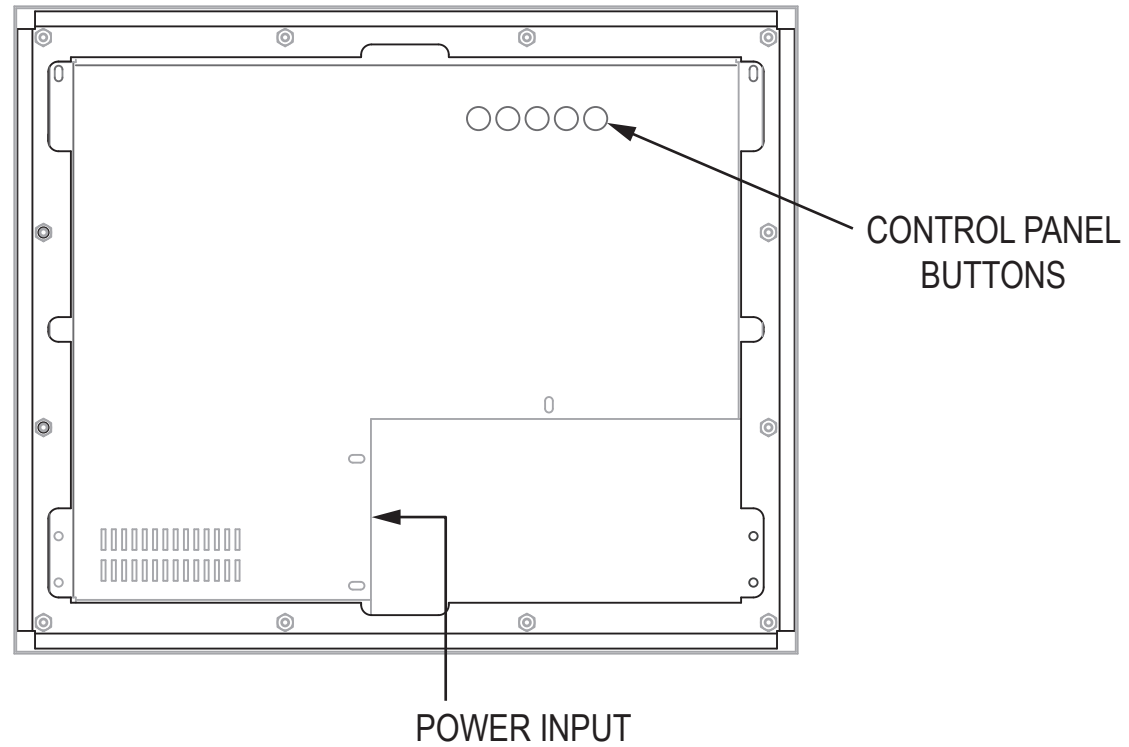


Bottom View

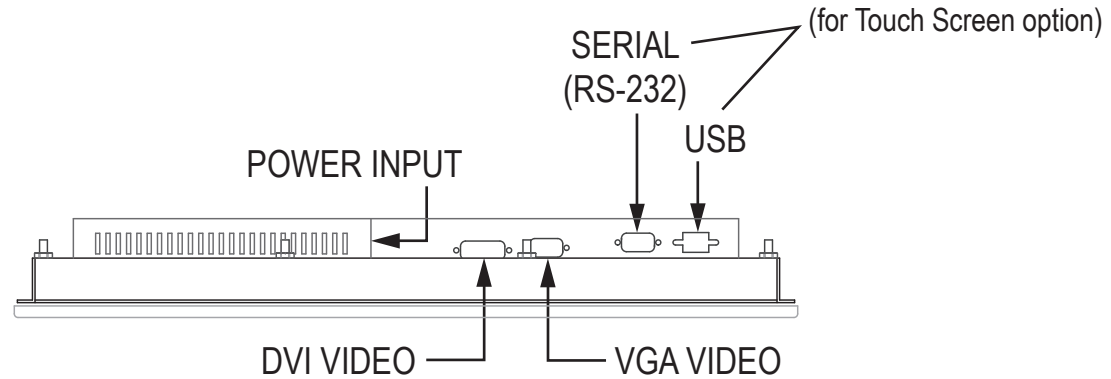


Cable Connections

Rear View

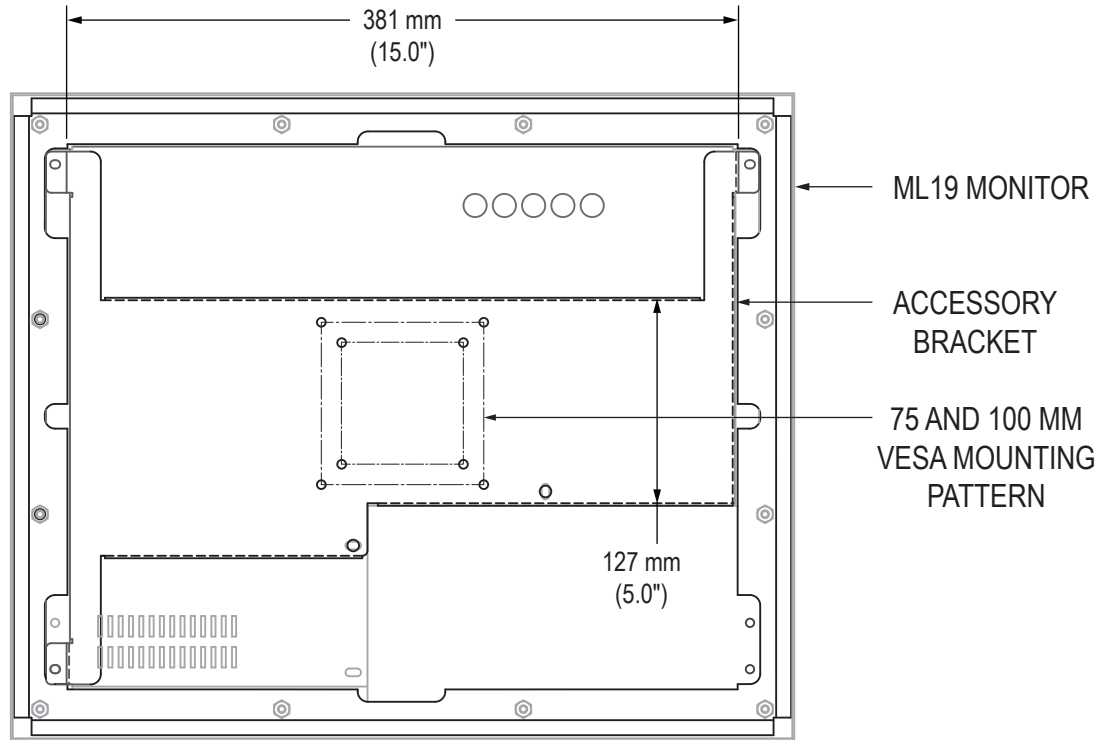


Bottom View



VB-19E Accessory Mounting Bracket

Rear View



Bottom View

