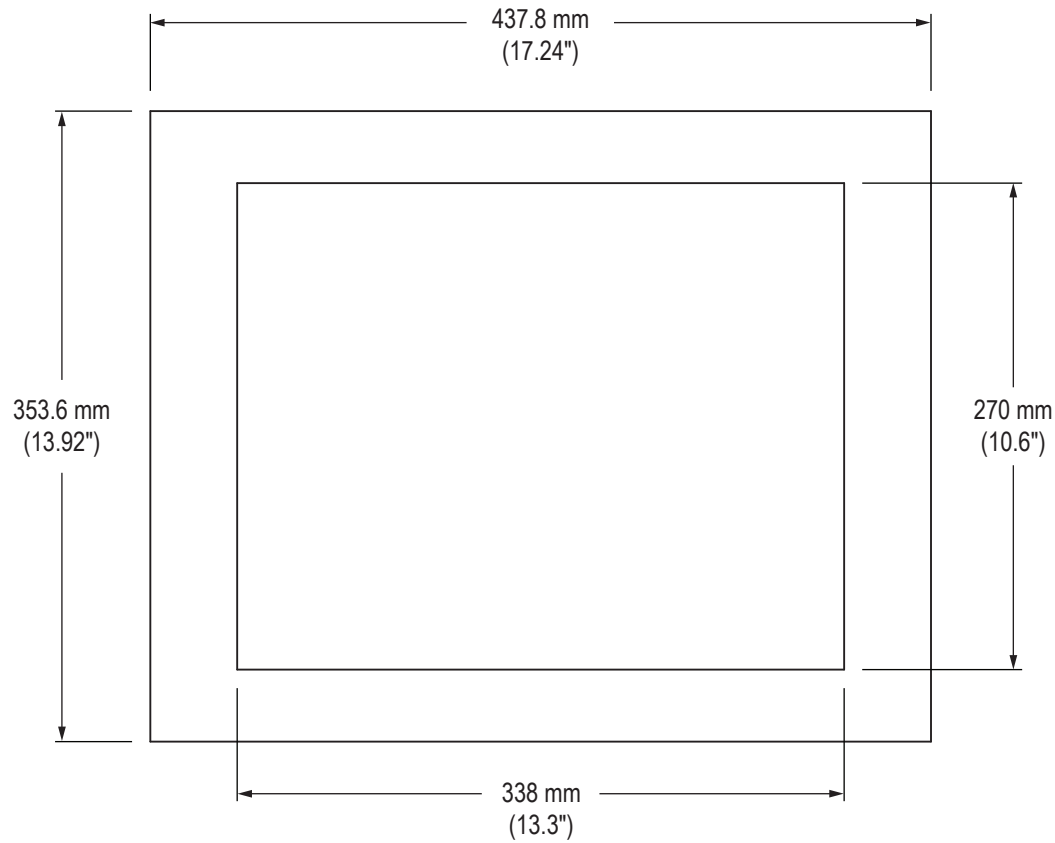
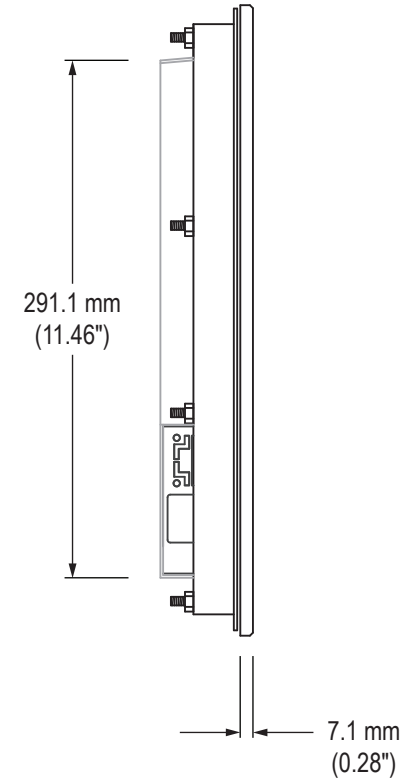


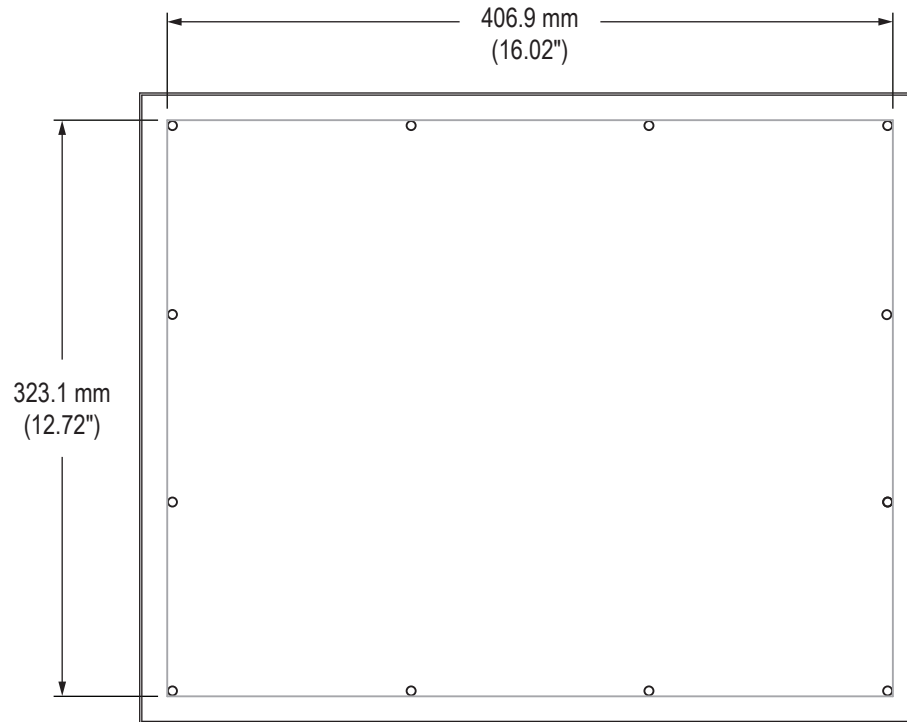
Front View



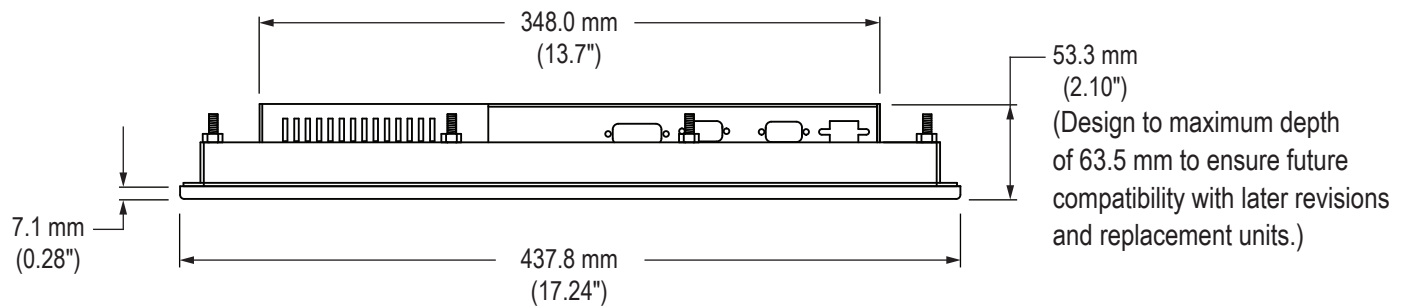
Side View



### Rear View (showing Cutout Dimensions)



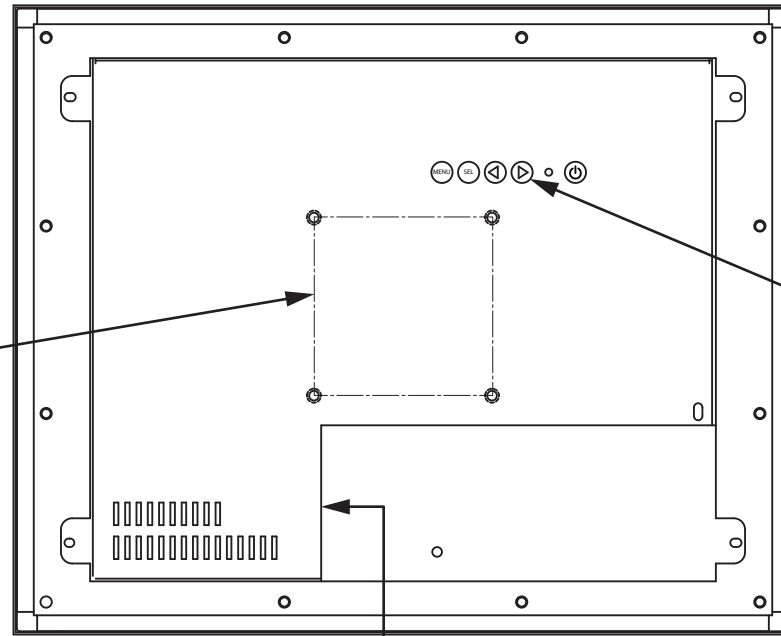
### Bottom View



# Cable Connections

## Rear View

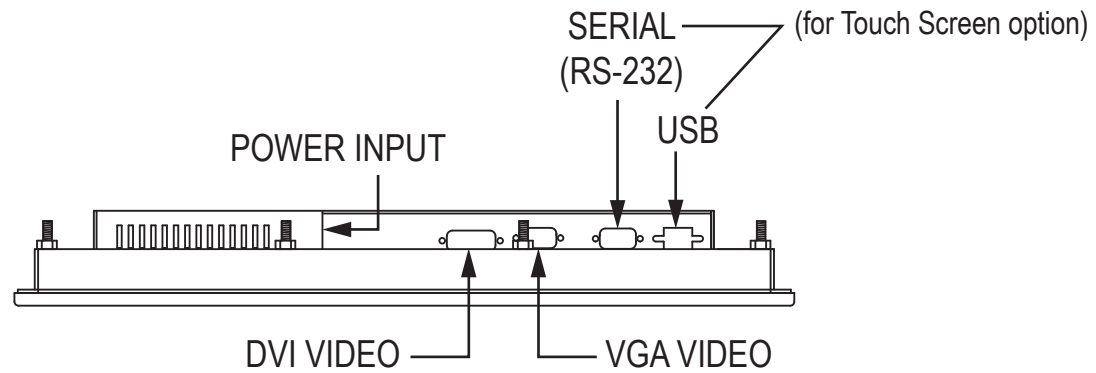
100 mm VESA  
MOUNTING PATTERN  
(M4 SCREWS PROVIDED,  
16 mm MAXIMUM DEPTH  
OF SCREW)



CONTROL PANEL  
BUTTONS

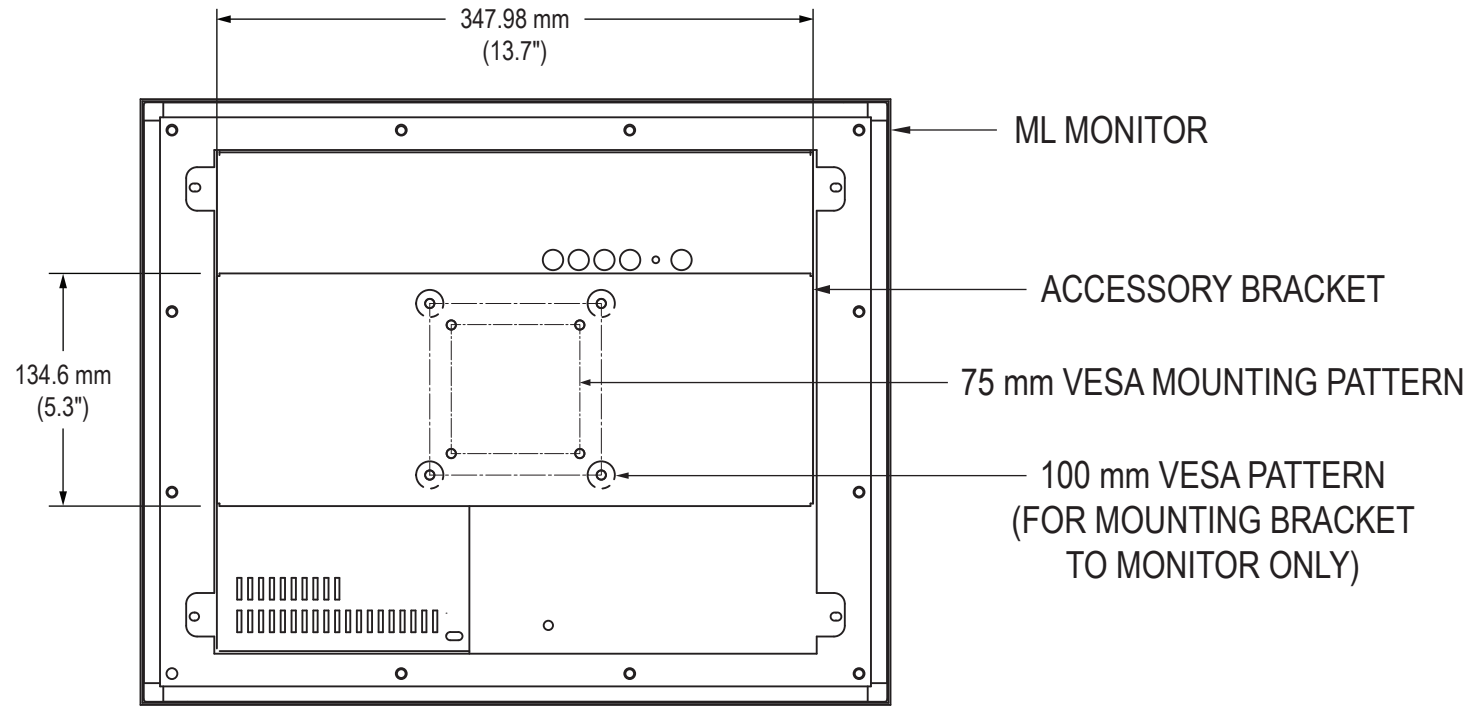
POWER INPUT

## Bottom View



# VB-1517-01 Accessory Mounting Bracket

Rear View



Bottom View

