



# Installation Instructions

## WB-ENCL2-SS4

### Wall Mount Bracket for Commercial / Industrial PC Enclosures

1. Refer to Figure 1. Cut holes in the bracket for conduit entry into the rear of the enclosure, or cut holes in the enclosure.
2. Refer to Figure 1. Mount the bracket to a wall surface using six 1/4" fasteners (not provided).
3. Mount the enclosure to the bracket using the provided six 1/4-20 bolts.

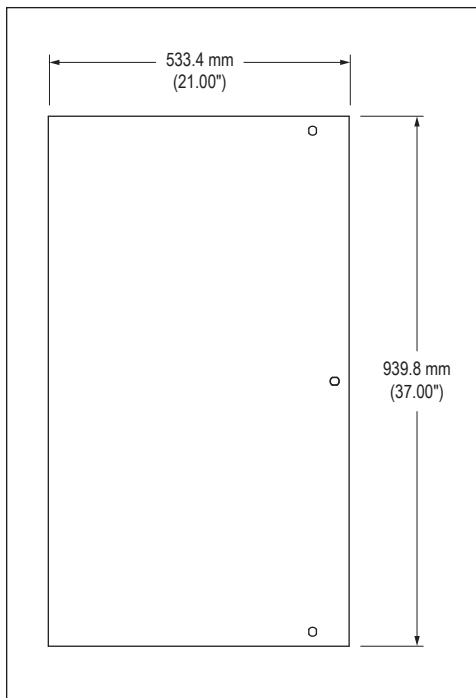


FIGURE 2 – FRONT VIEW OF ENCLOSURE

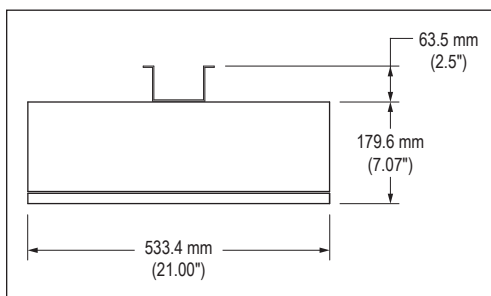


FIGURE 3 – TOP VIEW OF ENCLOSURE

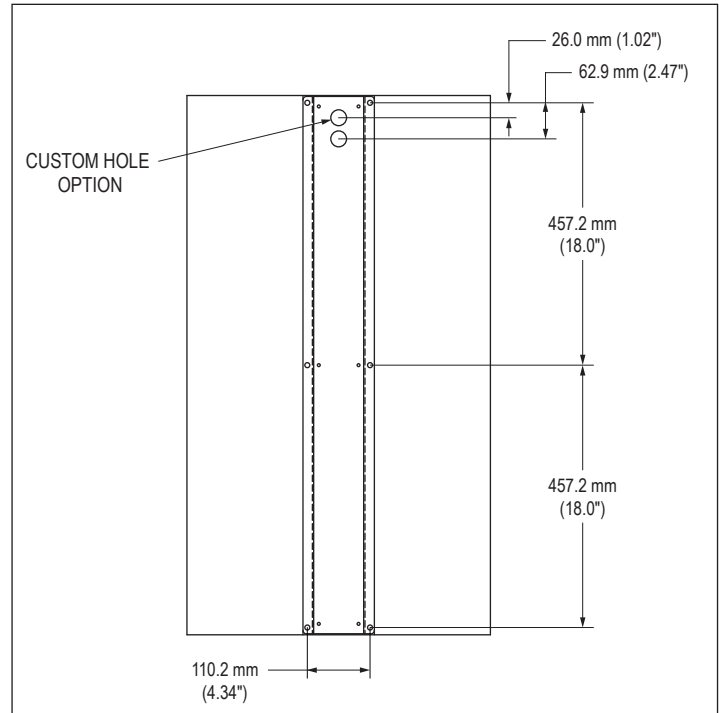


FIGURE 1 – REAR VIEW

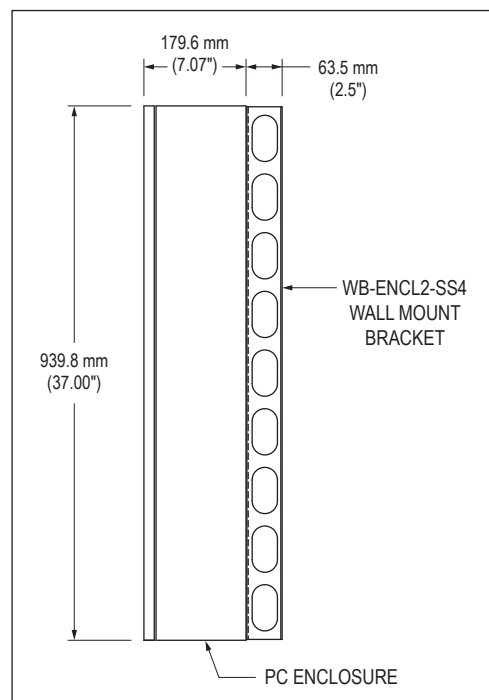


FIGURE 4 – SIDE VIEW