



Installation Instructions

KB-M2-WMT- __ , KB-R2-WMT- __ , and KB-R3-WMT- __ Series Wall Mount Folding Keyboard

1. Cut or drill mounting pattern in panel using the provided cutout template. Refer to Figure 1 for the panel mounting pattern.

NOTE: +/- 0.8 mm (0.03") tolerance on all dimensions unless otherwise noted

The provided hardware is for use with panels that have a maximum thickness of 6.4 mm (1/4") if using clearance holes. Thicker panels can be used but require 1/4-20 tapped holes or longer screws than those provided. For thicker panels or panels where rear access requires a second person, you must install the plastic bulkhead fitting onto the left hand wall bracket first (as shown in steps 7 and 8), and then proceed from step 1.

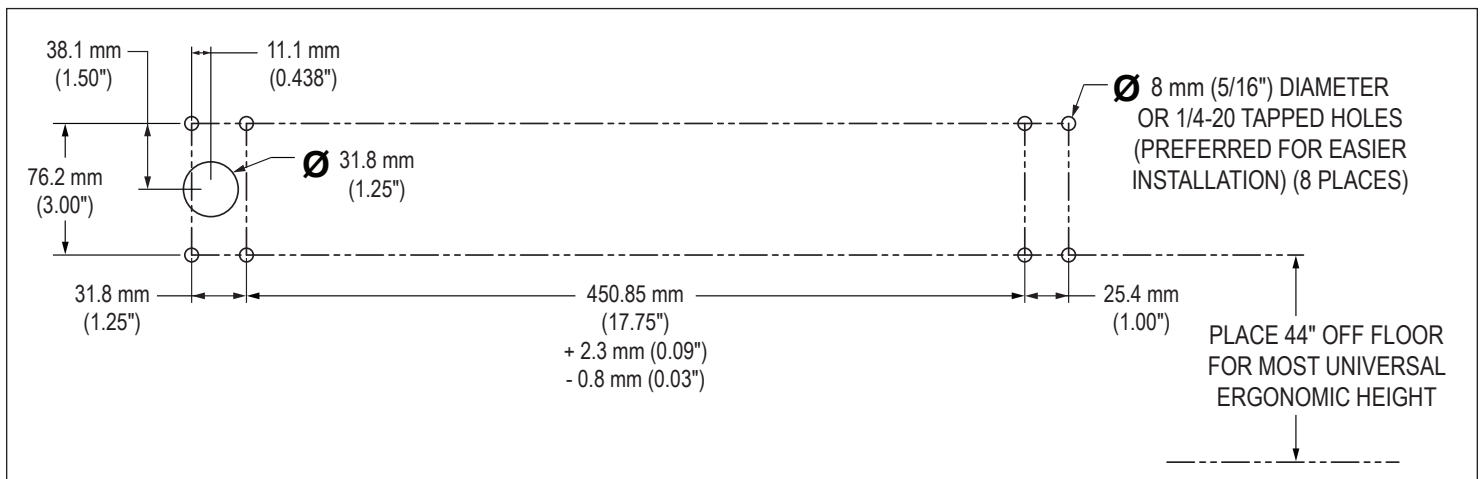


FIGURE 1 – PANEL MOUNTING PATTERN

2. Install the left hand wall bracket first using four of the provided 1/4-20 screws, washers, and nuts as shown. Tighten all screws until the gasket is compressed to 1/16" to 3/32" thick.

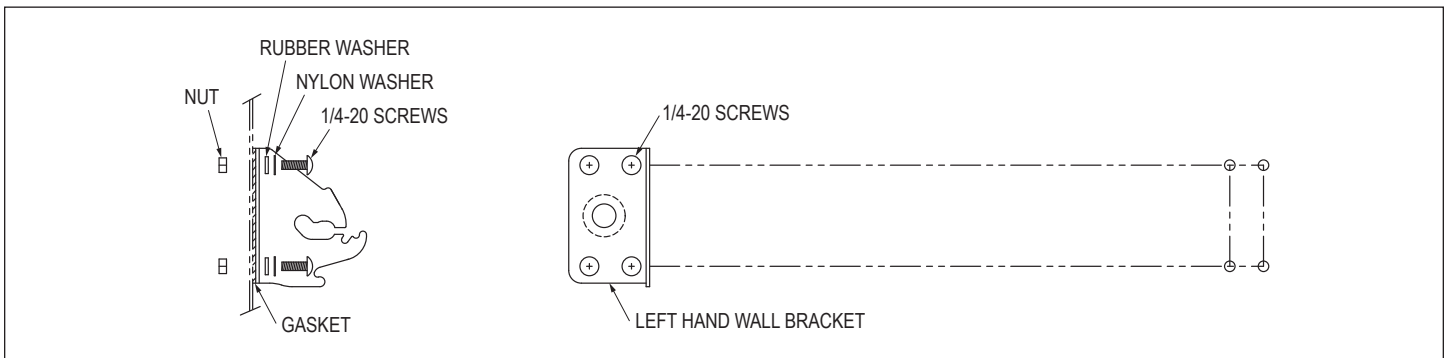


FIGURE 2 – SIDE VIEW AND FRONT VIEW OF LEFT HAND WALL BRACKET



Wall Mount Folding Keyboard Installation Instructions (continued)

- Loosely install the right hand wall bracket using only 1 of the provided 1/4-20 screws, washers, and nuts in the location shown. The remaining three screws will be installed after fitting the keyboard in place.

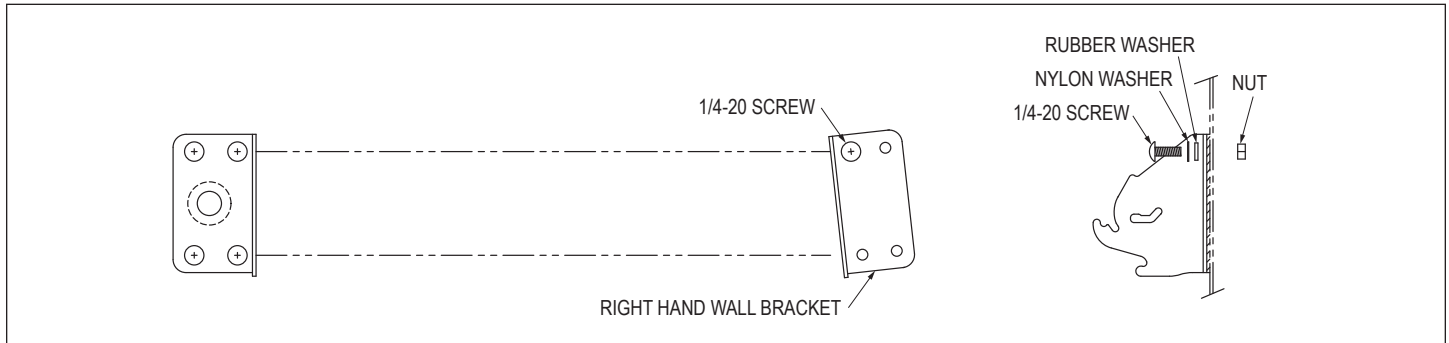


FIGURE 3 – FRONT VIEW AND SIDE VIEW OF RIGHT HAND WALL BRACKET

- Slide the keyboard cable through the slot on the left hand wall bracket as shown.



IMPORTANT!

THE KEYBOARD MUST BE SUPPORTED SO THAT NO PRESSURE OR WEIGHT IS APPLIED TO THE CABLE ITSELF DURING THE INSTALLATION PROCESS.

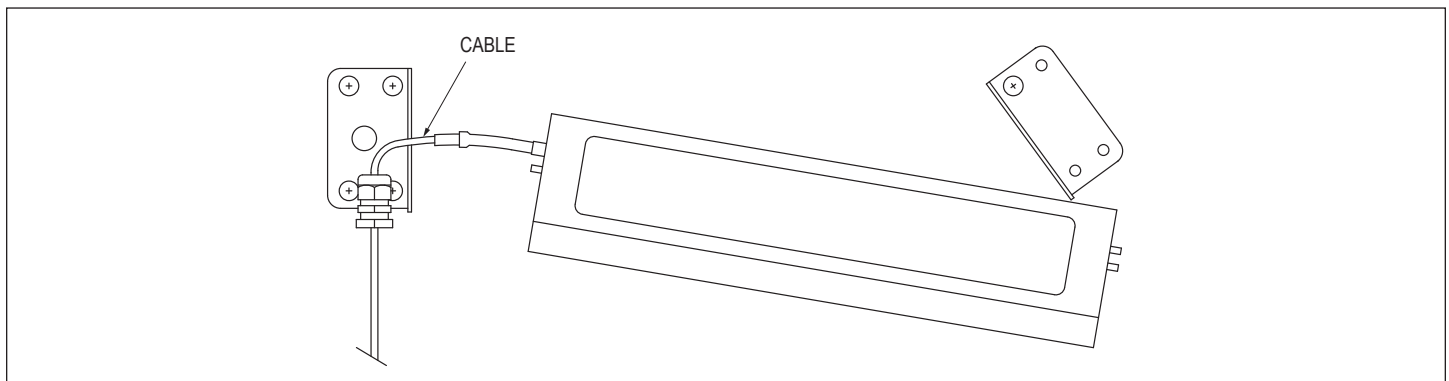


FIGURE 4 – FRONT VIEW SHOWING KEYBOARD



Wall Mount Folding Keyboard Installation Instructions (continued)

- Swing the right hand wall bracket into place, trapping the keyboard as shown.

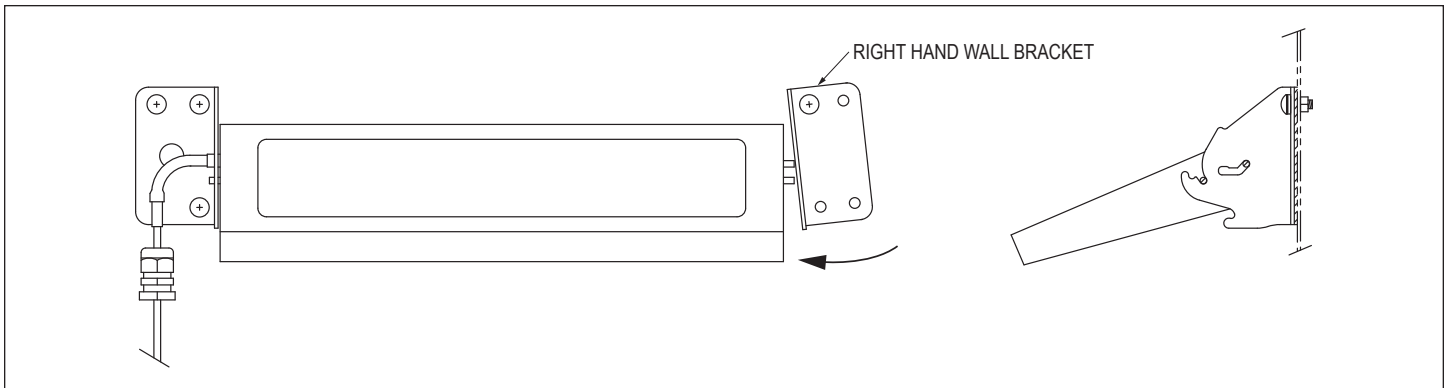


FIGURE 5 – FRONT AND SIDE VIEWS

- Finish installing the right hand wall bracket using the remaining three 1/4-20 screws, washers, and nuts. Tighten all screws until the gasket is compressed to 1/16" to 3/32" thick.

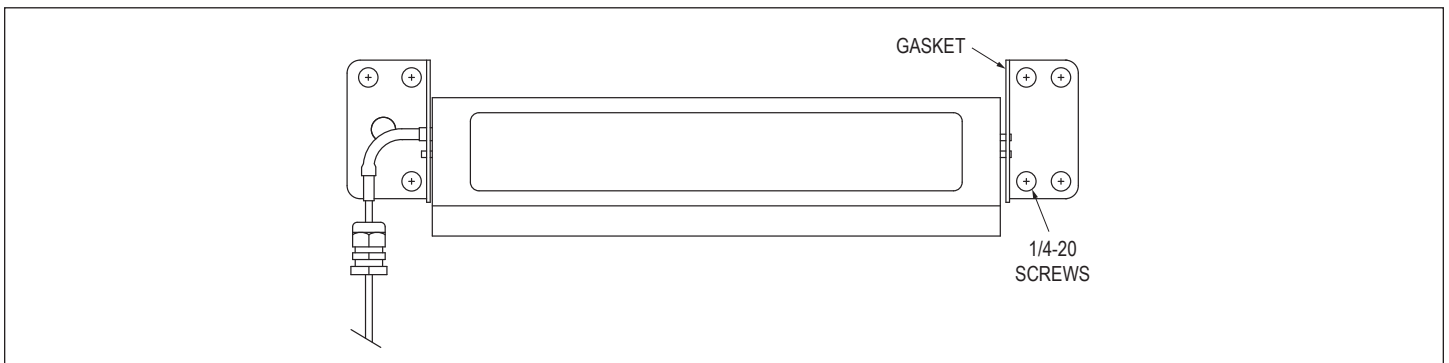


FIGURE 6 – FRONT VIEW

- Unscrew the first nut from the plastic bulkhead fitting on the keyboard cable and remove from the end of the cable.

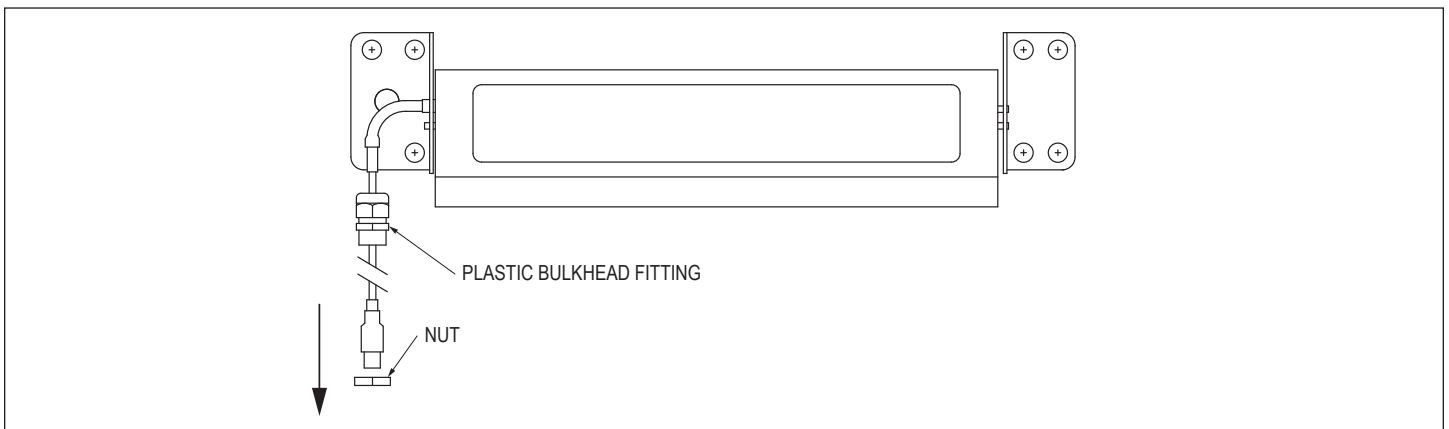


FIGURE 7 – FRONT VIEW



Wall Mount Folding Keyboard Installation Instructions (continued)

8. Insert the cable and fitting through the hole in the left hand wall bracket. Tightly reinstall the nut from the rear. Push the cable through as far as it will go, then tighten the cable gland nut from the front.

IMPORTANT!

FAILURE TO FULLY TIGHTEN EITHER NUT WILL COMPROMISE THE WATERTIGHT SEAL ON THE PANEL.

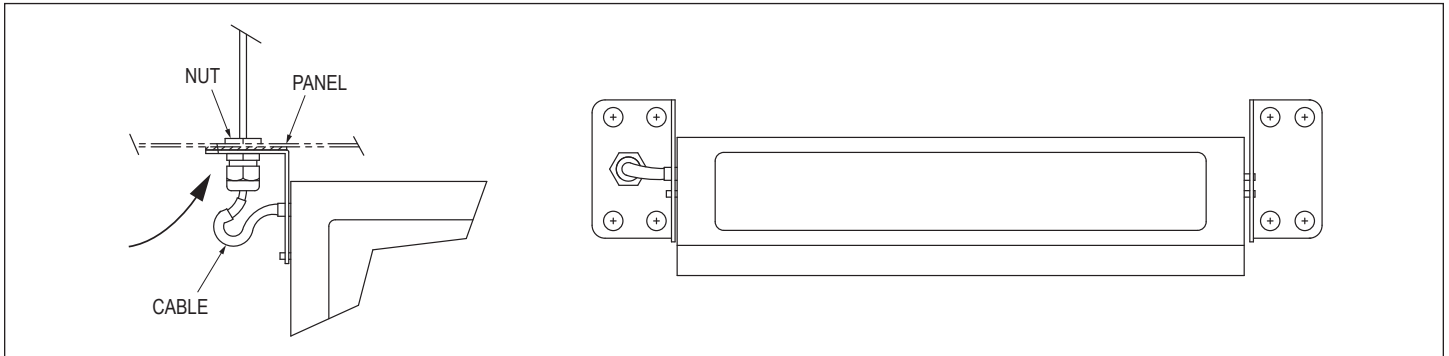


FIGURE 8 – TOP AND FRONT VIEWS

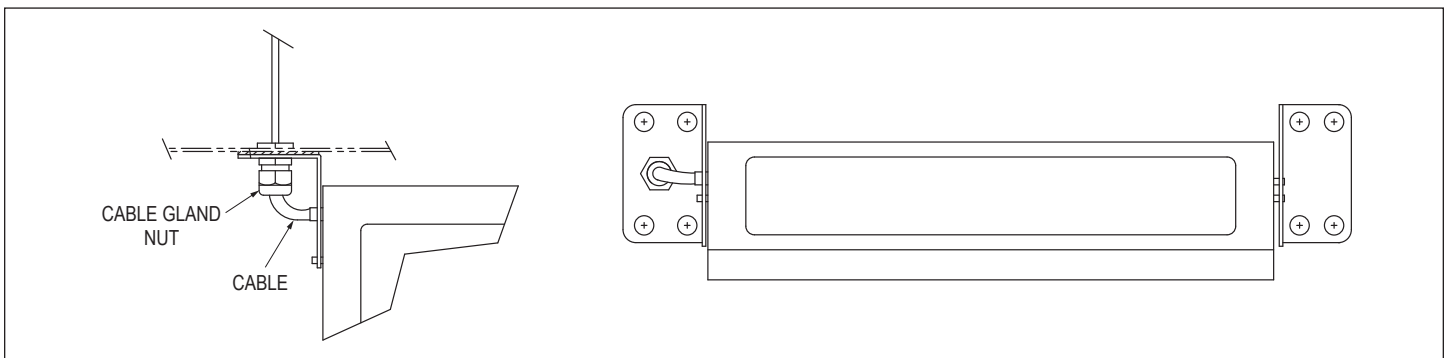


FIGURE 9 – TOP AND FRONT VIEWS

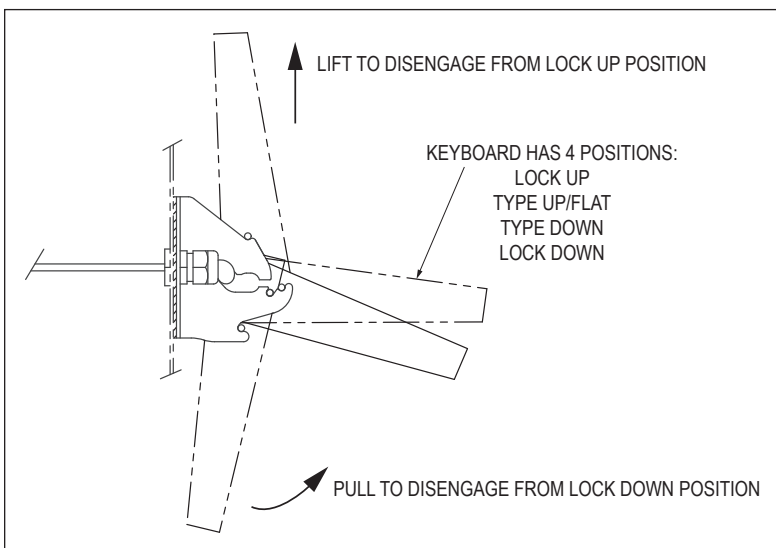


FIGURE 10 – SIDE VIEW SHOWING 4 POSITIONS