



Installation Instructions

WB-ENCL1-SS4

Wall Mount Bracket for Thin Client / Small PC Enclosures

1. Refer to Figure 1. Cut holes in the bracket for conduit entry into the rear of the enclosure, or cut holes in the enclosure.
2. Refer to Figure 1. Mount the bracket to a wall surface using four 1/4" fasteners (not provided).
3. Mount the enclosure to the bracket using the provided four 1/4-20 bolts.

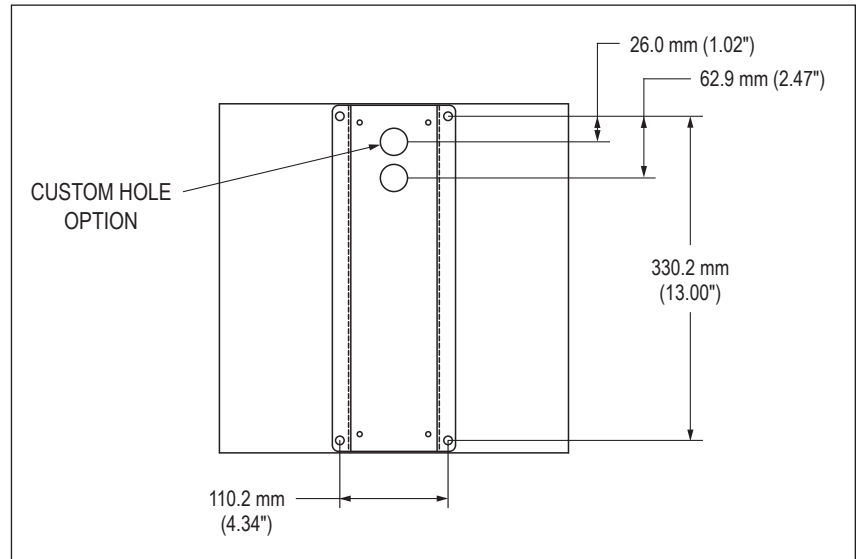


FIGURE 1 – REAR VIEW

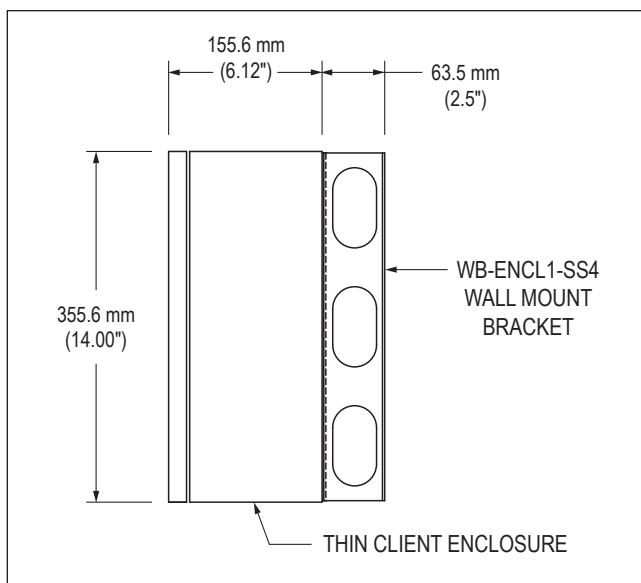


FIGURE 2 – SIDE VIEW

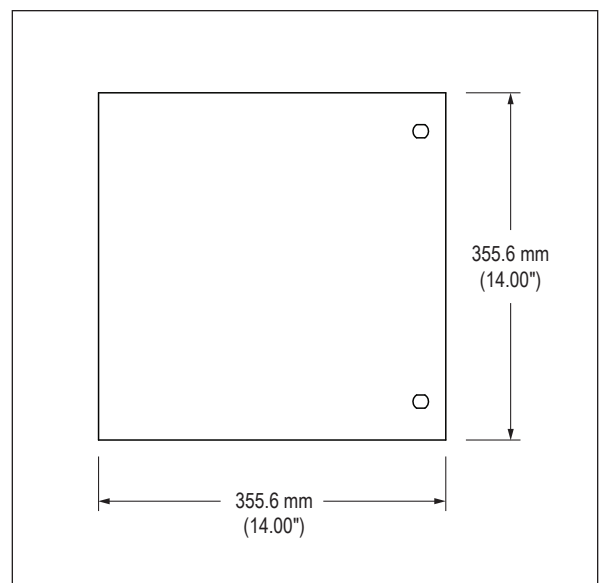


FIGURE 3 – FRONT VIEW OF ENCLOSURE