



# Installation Instructions

VB-20A

## Accessory Mounting Bracket for HIS-ML19.5 and HIS-ML20 Monitors

1. Lay the monitor face down on the edge of a bench. **Place a soft cloth or foam between the monitor and bench to prevent scratches.**
2. Place the Accessory Bracket onto the rear of the monitor as shown in Figure 1.
3. Install the provided four screws and lockwashers in the locations marked "A" in Figure 1.

FIGURE 1 – REAR VIEW OF ML19.5 MONITOR (FACE DOWN)

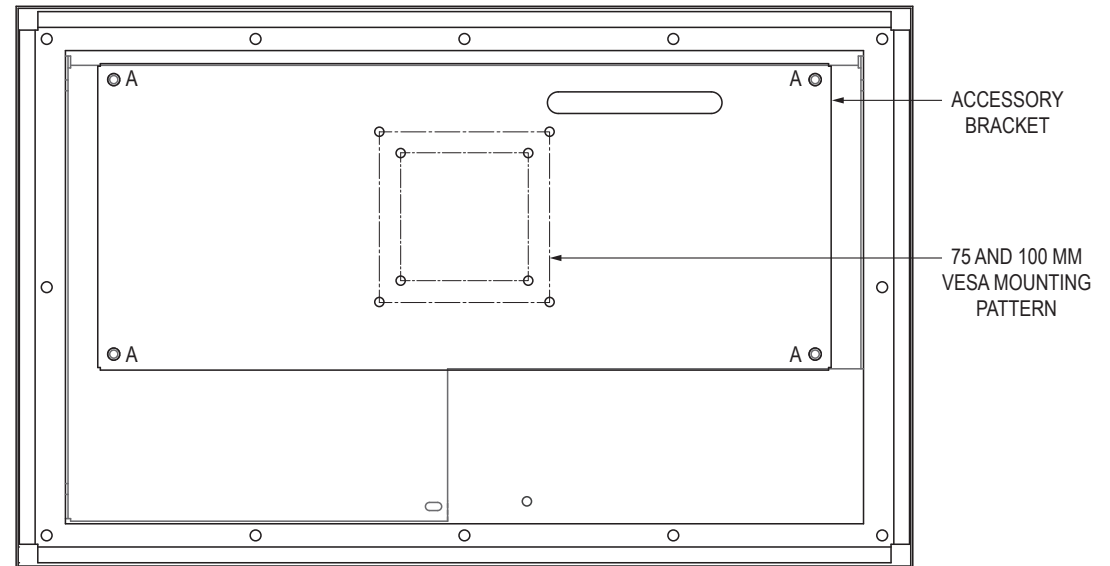


FIGURE 2 – BOTTOM VIEW

