



# Installation Instructions

## KB-PL1-PS2, KB-TRAY-BLK, or KB-TRAY-SS

### Keyboard Mounting Tray for Benchtop Keyboard

1. Lay monitor face down on the edge of a bench with keyboard attach holes facing the edge. **Place a soft cloth or foam between the monitor and bench to prevent scratches.**
2. Remove and discard the four existing screws from the bottom side of the monitor.
3. Loosely install the provided four bolts and washers as shown in Figure 1.
4. Fully install the two front bolts and washers with a 3/8" open end wrench as shown in Figure 2.
5. Fully tighten the two rear bolts and washers with a 3/8" open end wrench as shown in Figure 3.

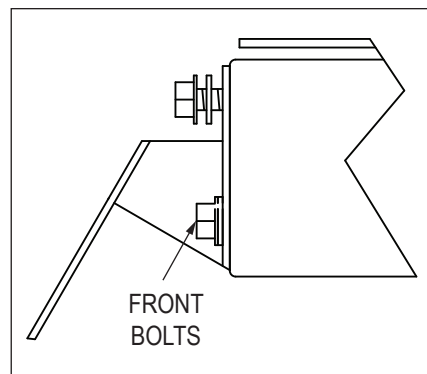
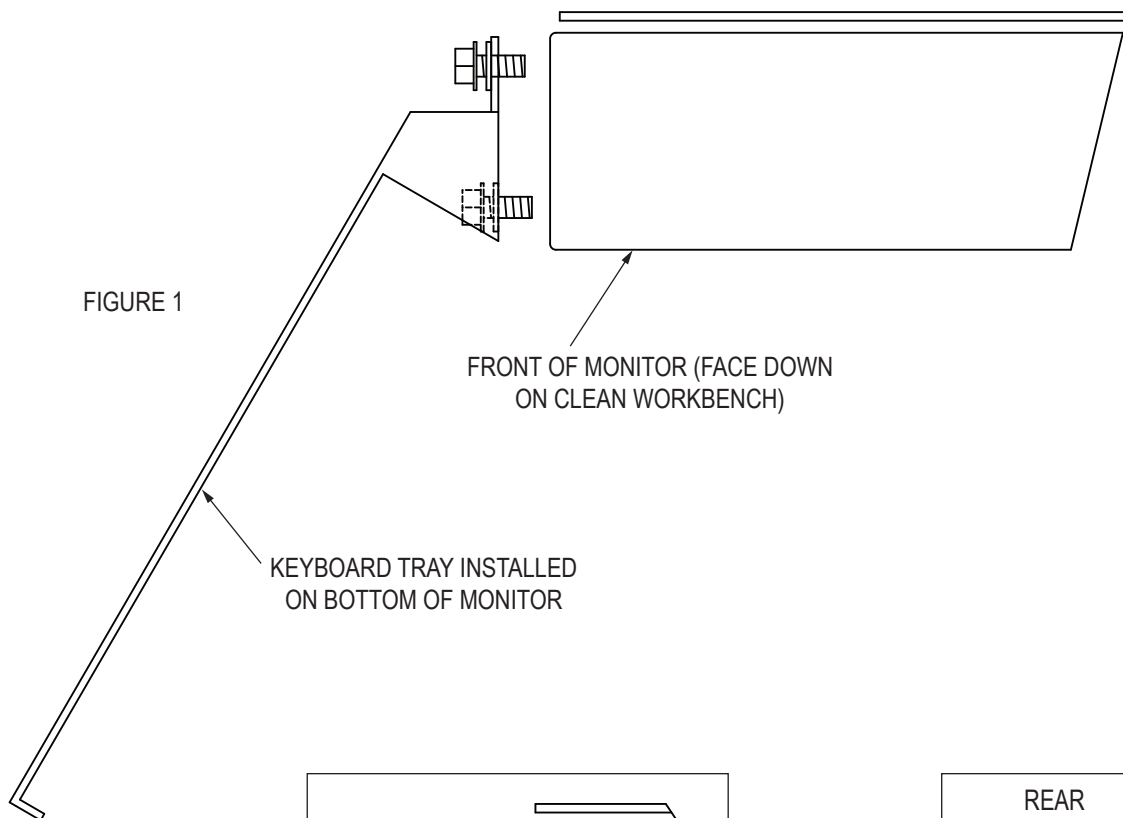


FIGURE 2

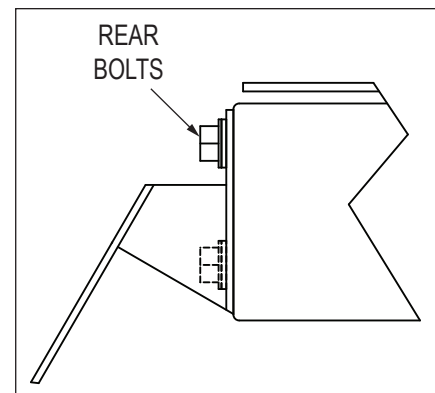


FIGURE 3