



Installation Instructions

CP-RG1-BLK-N4 or CP-RG1-SS-N4X

Cable Exit Cover Plate with Removable Gland

➔ IMPORTANT!

FOLLOW THESE INSTRUCTIONS CAREFULLY IN ORDER TO GET A WATERTIGHT NEMA 12/4/4X SEAL. FAILURE TO FOLLOW THESE INSTRUCTIONS COULD VOID THE WARRANTY IF WATER DAMAGE OCCURS.

THE GLAND IS DESIGNED TO WORK WITH CABLES PROVIDED BY HOPE INDUSTRIAL SYSTEMS. IF USING YOUR OWN CABLES, SEE THE CHART AT THE END OF THIS PAGE FOR ACCEPTABLE CABLE DIAMETERS.

1. Connect all cables to the monitor. Secure cables by completely turning all strain relief screw locks. Use the USB strain relief clip (provided) to secure USB cables.

NOTE: If using a CATx cable (for use with a KVM Extender), an adapter sleeve must be used to increase the diameter of the cable and ensure a watertight seal in the larger Video/CATx gland opening.

If the CATx cable already has an RJ45 connector in place, slip the included heat-shrink tubing over the connector and shrink it into place on the cable with a heat gun. The tubing is adhesive-lined and must be positioned so that the cable can reach the KVM extender remote unit connection point. To do this, leave ~6" of cable between the heat-shrink tubing and the RJ45 connector.

If the CATx cable does *not* already have an RJ45 connector crimped in place, install the included rubber Adapter Sleeve onto the CATx cable *before* crimping the RJ45 connector onto the CATx cable.

2. Insert the cables into the Gland openings as shown in Figures 1 and 2. The slits on the Gland should be facing up, with the opening for the Power cable at the top.

NOTE: Use the smaller three openings on the Gland for touch screen and keyboard cables as needed. If any of these cable openings will *not* be used, keep the plug in place to maintain a watertight seal.

3. Position the cover plate on the rear cover to trap the Gland. Refer to Figure 3. Install eight sealing screws (provided) and tighten evenly until the gasket on the cover plate is 1/16" to 3/32" thick.

4. Position and install the Compression Plate as shown in Figures 4 and 5. Install the two screws and tighten *evenly* until all cables are held snugly.

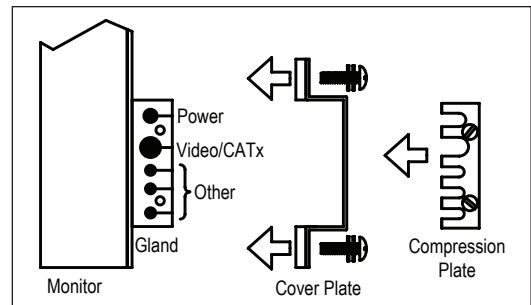


Figure 1



Figure 2



Figure 3



Figure 4

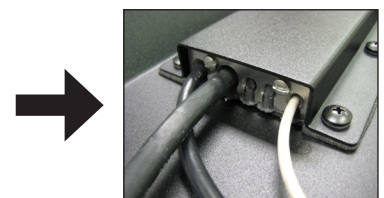


Figure 5

Cable	Minimum Cable Diameter	Maximum Cable Diameter
Power (Top Opening)	5.6 mm (0.22")	6.8 mm (0.27")
Video/CATx (Second Opening)	7.9 mm (0.31")	9.1 mm (0.36")
Touch and Keyboard (other openings)	3.6 mm (0.14")	4.8 mm (0.19")

⚠ Using cable sizes outside of these ranges will compromise the watertight seal created by this gland!