



Installation Instructions

KB-DT5K-PM45

45° Panel Mount Keyboard

1. Install 1/4-20 machine screws with sealing washers from underside of keyboard in the four places shown in Figure 2. There should also be sealing washers or RTV between the Mounting Bracket and Panel.

NOTE: Screws, sealing washers, and RTV are not provided.

2. Route the necessary cables through the cable gland.
3. Install the cable gland into the panel. Location is optional.

**NOTE: 1.26" - 1.30" Cable Gland Hole diameter
0.394" Maximum Panel thickness**

FIGURE 1 – Side View

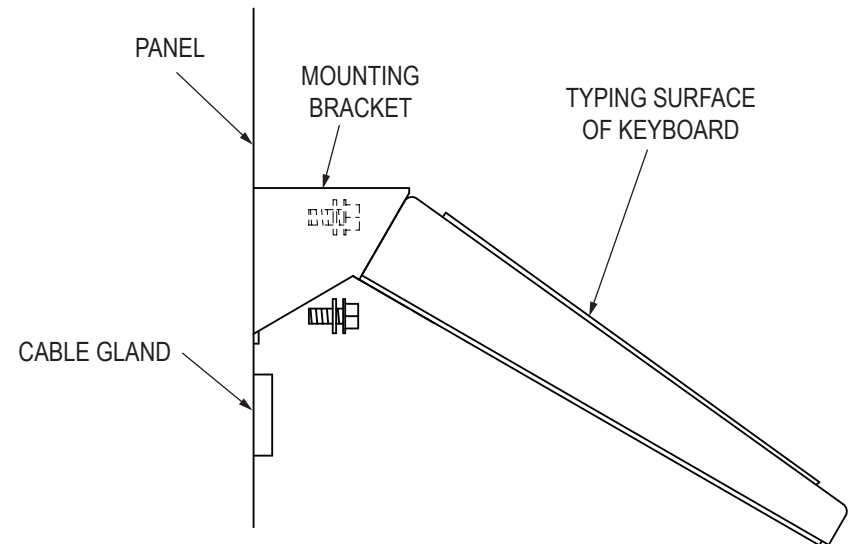


FIGURE 2 – Rear View of Wall Mounting Bracket

1/4-20 MACHINE SCREWS
IN PANEL (4 PLACES AS
SHOWN, NOT PROVIDED)

