



Installation Instructions

KB-R2-EXT, KB-R3-EXT, and KB-M2-EXT Series

Monitor-Mounted Full-Travel and Short-Travel Keyboards

1. Lay monitor face down on the edge of a bench with keyboard attach holes facing the edge. **Place a soft cloth or foam between the monitor and bench to prevent scratches.**

2. Temporarily remove the cable exit cover plate from the rear of the monitor if already installed.

3. Unscrew 5/16" nut and discard the metal shield covering the cable plug inside the cable compartment of the monitor.

4. Remove the keyboard cable plug from the base of the monitor.

5. Remove and discard the four screws from the base of the monitor. For stainless steel models, also discard the black rubber O-rings.

6. Route keyboard cables through the 3/4" hole on the base of the monitor.

7. Install the keyboard using the provided four screws and a #3 Phillips screwdriver.

NOTE: Start all screws before fully tightening, then tighten until the gasket is approximately 1/16" to 3/32" thick.

8. Connect cables from the PC to the monitor.

9. Install the provided wire retaining clip as shown in Figures 1 or 2. Use only Hope Industrial Systems, Inc. provided cables to ensure proper fit.



IMPORTANT: This step is required to ensure compliance with Class I, II, III, Division 2 Hazardous Location requirements.

10. Install the cable exit cover plate by following the installation instructions that came with the specific cover plate model.

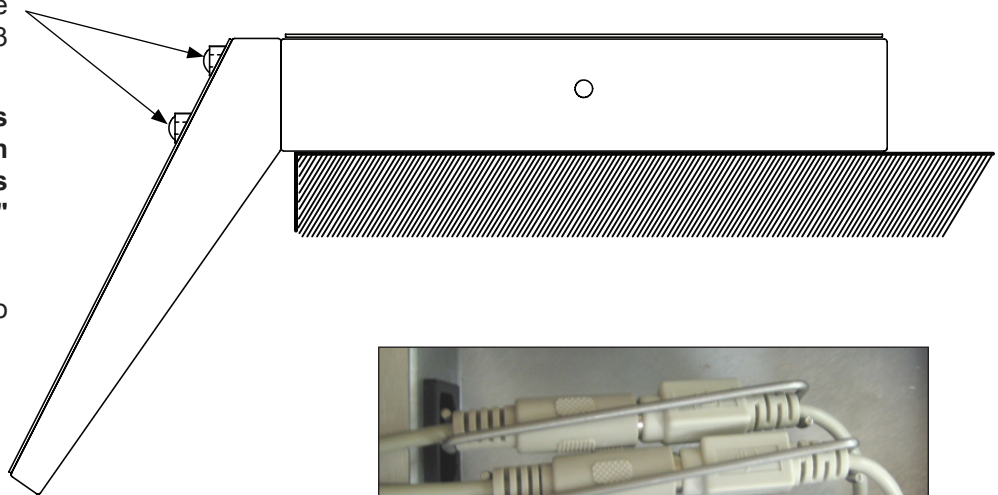
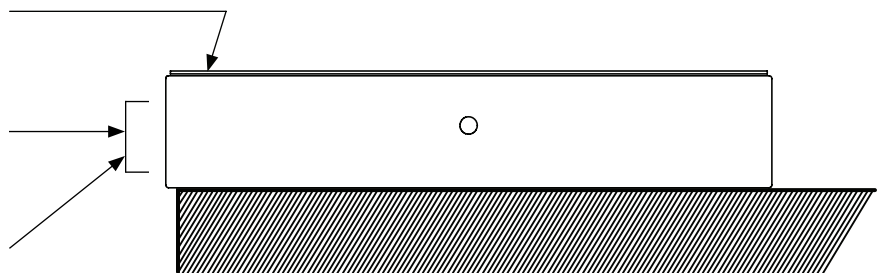


FIGURE 1

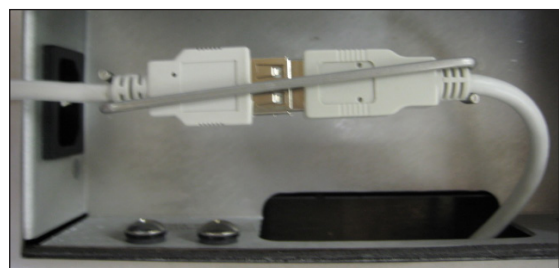


FIGURE 2