



# Installation Instructions

## CP-FP15 and FPED Series

### Fixed Pedestal Cover Plate and Mount

1. Refer to Figure 1. Prepare the mounting surface for the pedestal installation.
2. Install the pedestal using appropriate hardware and methods for the selected mounting surface taking strength, cable routing, and sealing into consideration.
3. Prior to installing the fixed pedestal cover plate onto the rear of the monitor, remove and discard the eight screws and washers from the locations marked "A" in Figure 2.

4. Remove and set aside (do not discard) the ten screws and washers from the locations marked "B" in Figure 2.

5. Install cables into the monitor. Secure all cables by fully tightening all strain relief screw locks and securing strain relief clips.

**NOTE: For workstations with a KVM2-PED installed, use the cables in the bag labeled "CABLES FOR FIXED PEDESTAL."**

6. Refer to Figure 3. Route cables through the cable access hole on the fixed pedestal cover plate.

7. Install the provided two M4 sealing screws and washers in the locations marked "C" in Figure 3.

8. Use the ten 10-32 screws and washers that were removed in step 4 and install them in the locations marked "B" in Figure 3. Tighten all screws until the gasket is approximately 1/16" to 3/32" thick.

9. Refer to Figure 3. Route cables into the pedestal by positioning and supporting the monitor so that the cables exiting from the monitor can be easily routed into the top of the pedestal.

10. Attach the monitor to the pedestal using the provided four 10-32 acorn nuts and nylon washers in the locations marked "D" in Figure 3.

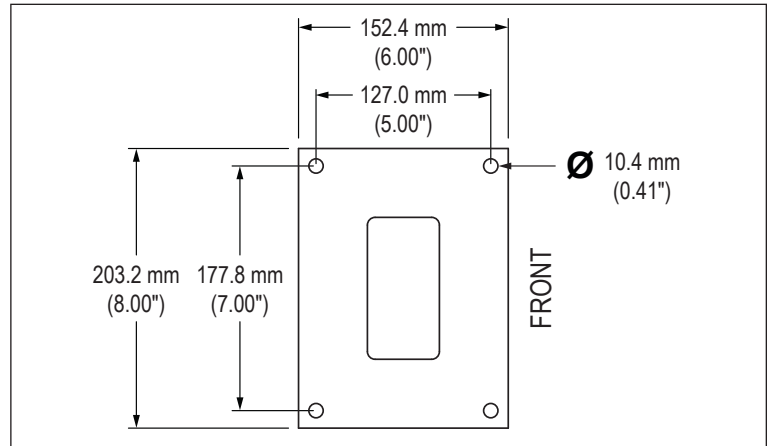


FIGURE 1 – PEDESTAL BASE PLATE

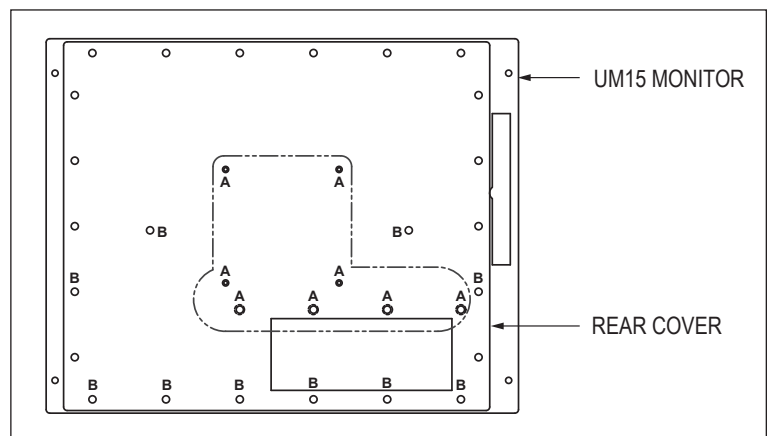


FIGURE 2

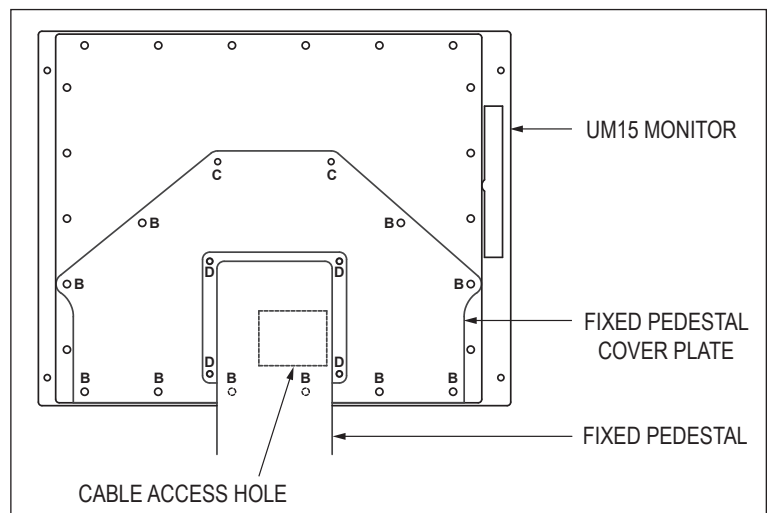


FIGURE 3