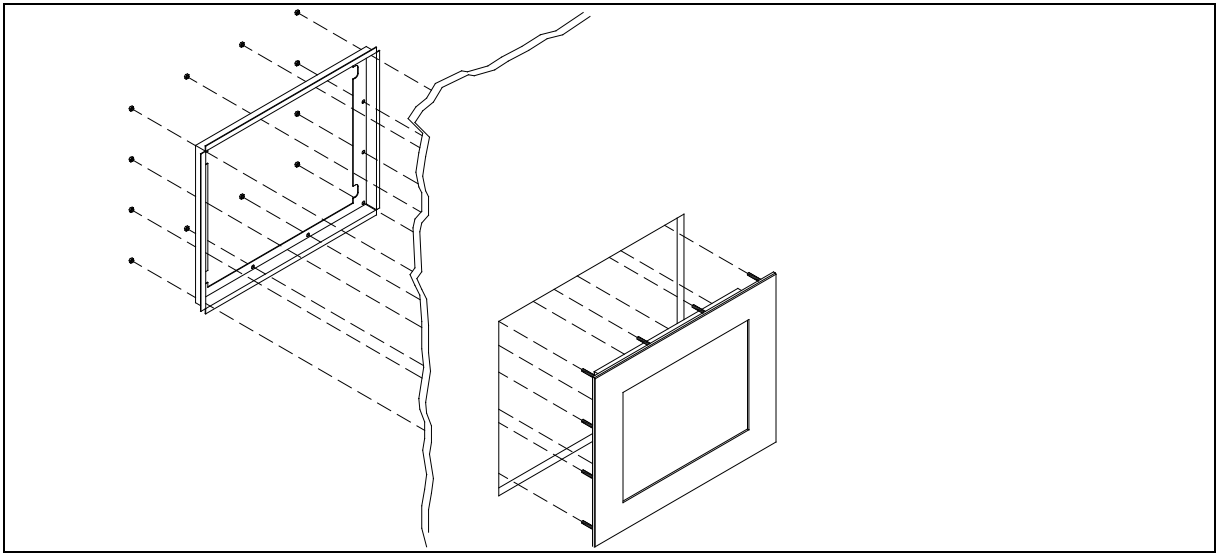


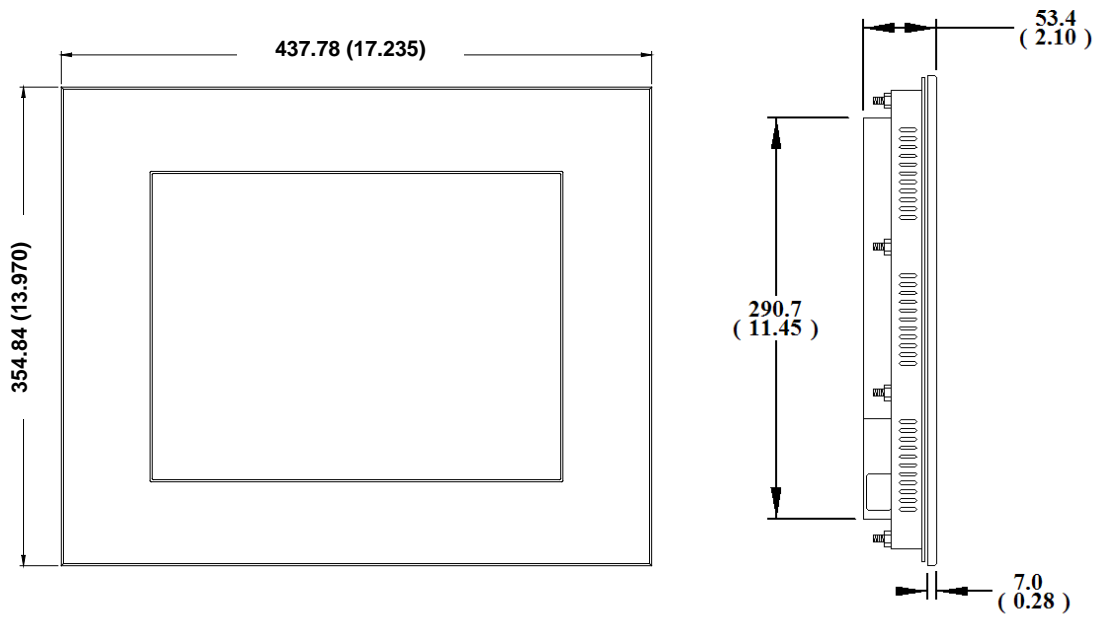
# Drawings

## HIS-ML15D Industrial LCD Monitor

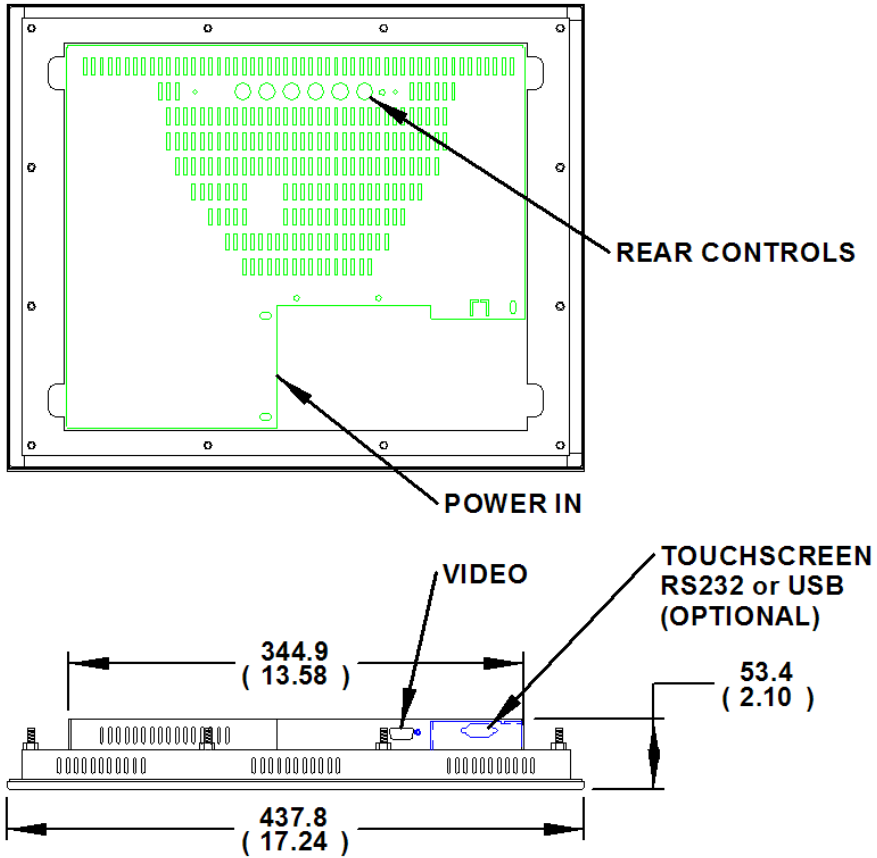
### Enclosure Mounting Diagram



### Front and Side Views



## Rear and Bottom Views



## Rear View (Showing Cutout Dimensions)

