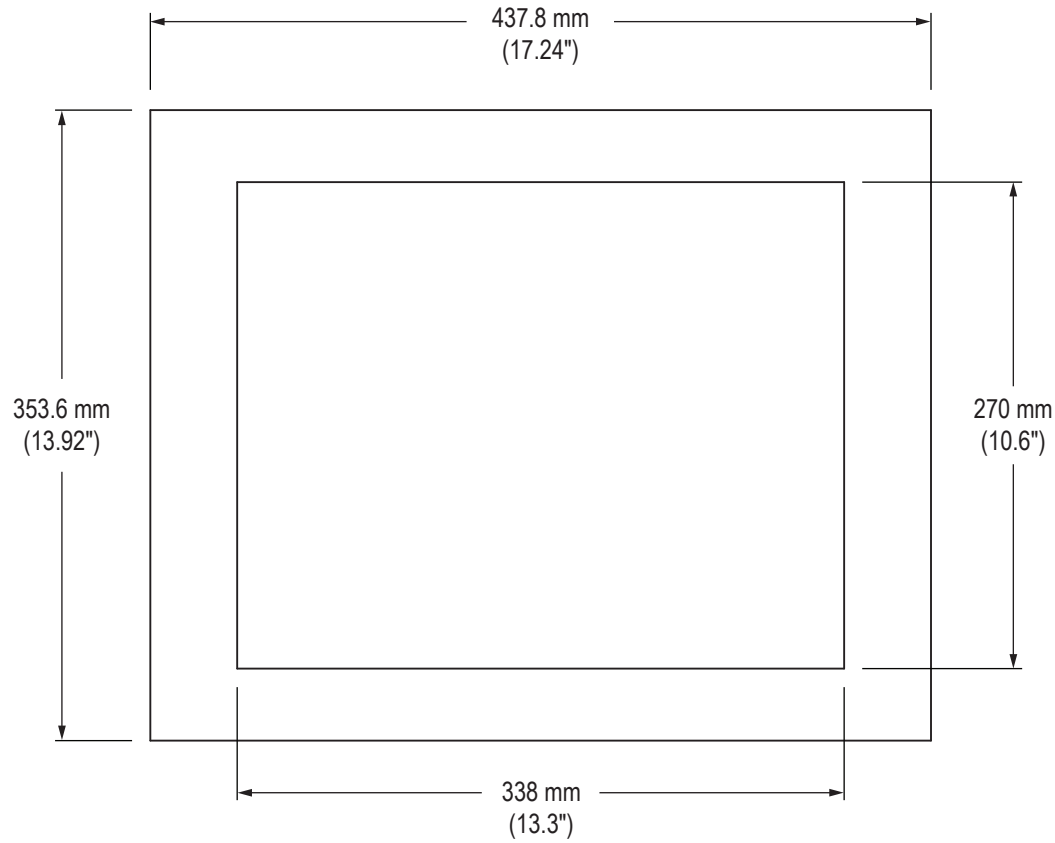
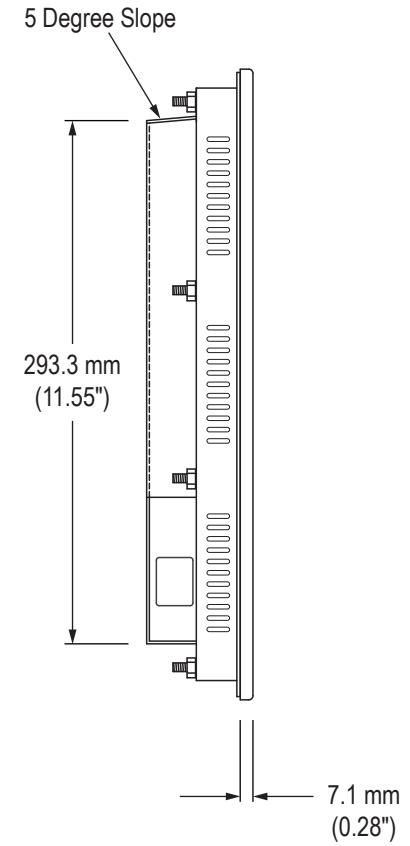


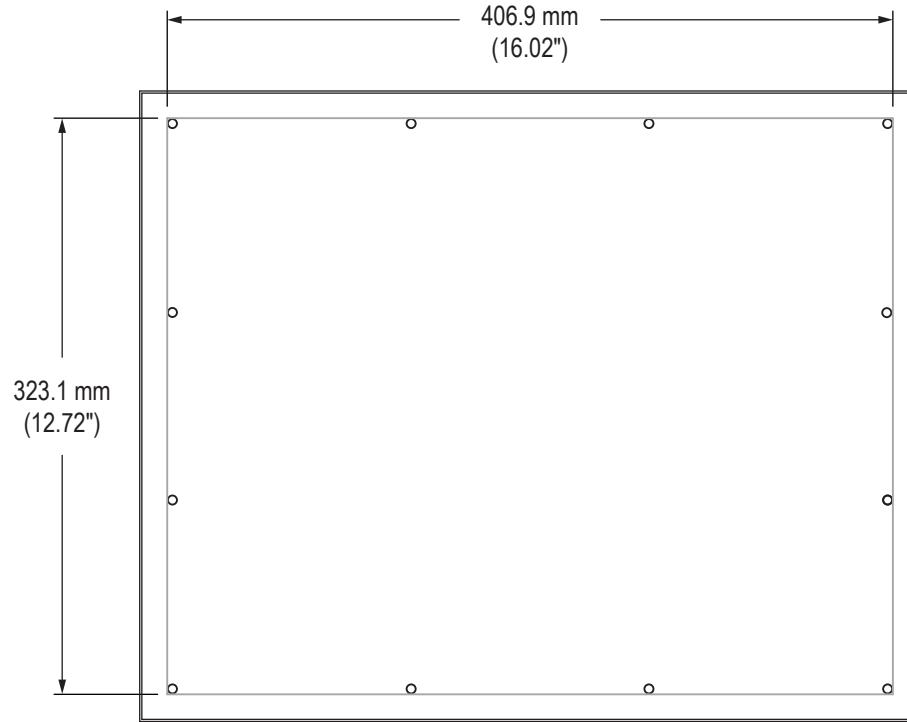
Front View



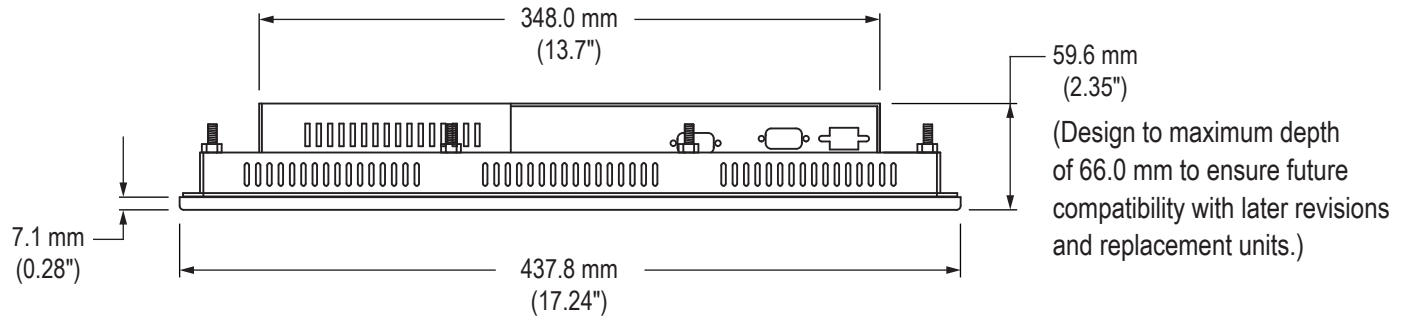
Side View



Rear View (showing Cutout Dimensions)

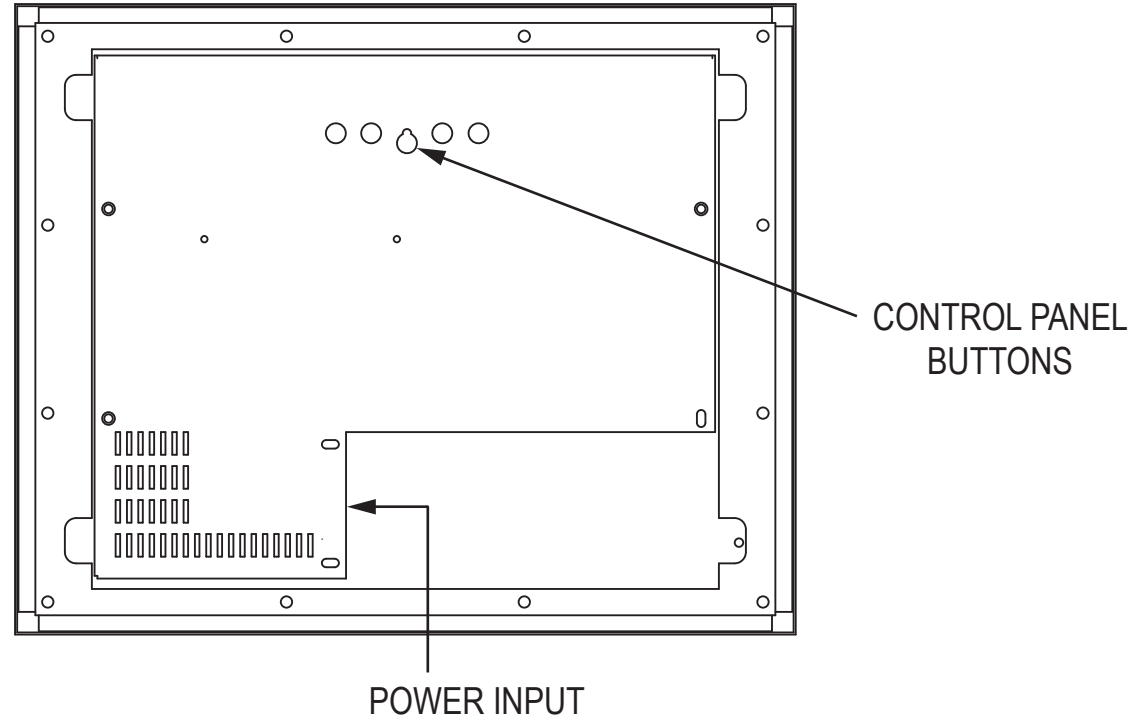


Bottom View



# Cable Connections

## Rear View



## Bottom View

