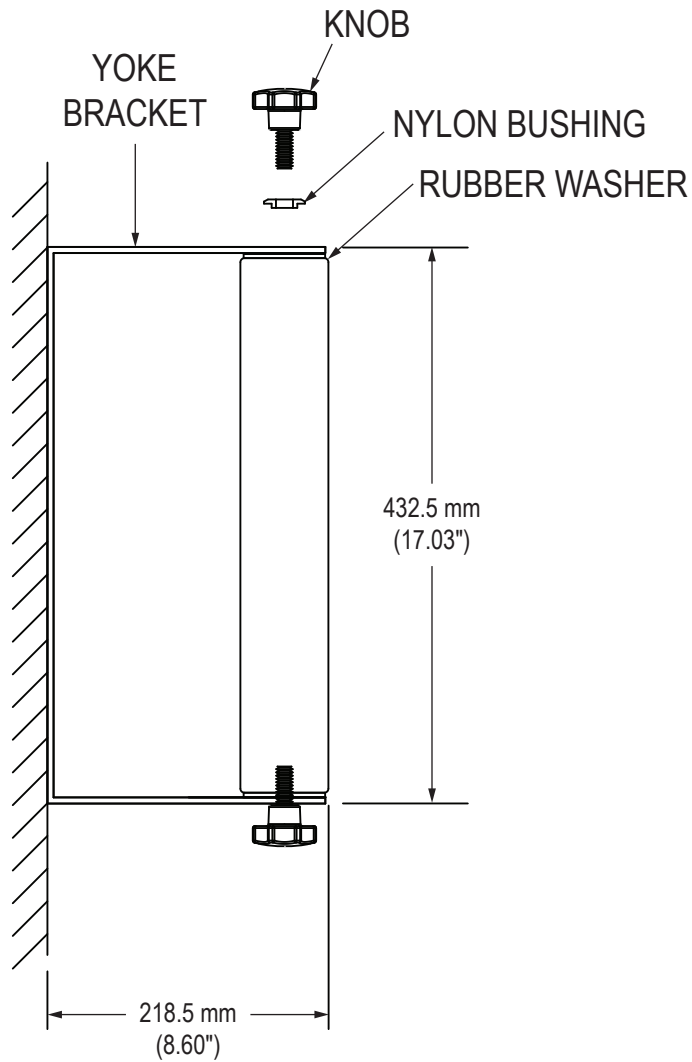
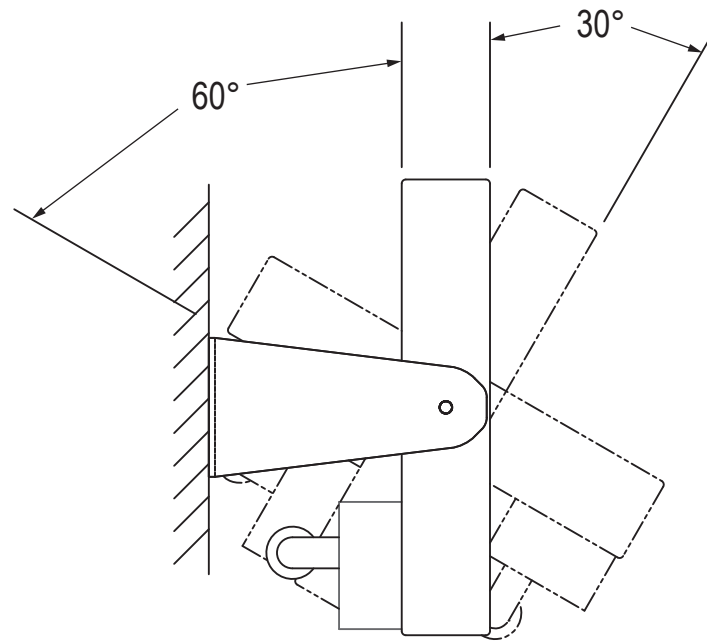


15/17" MODEL

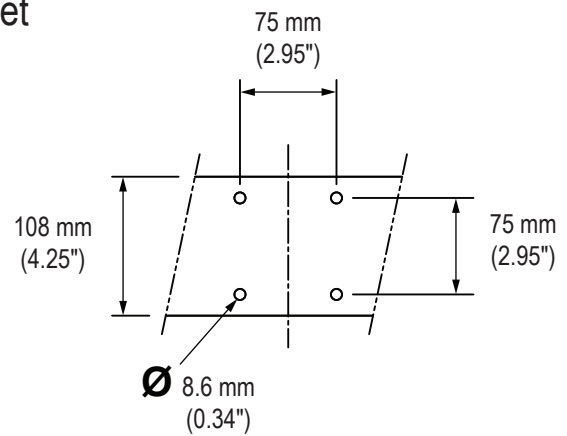
Top View



Side View



Mounting Bracket



Mechanical Drawing – Heavy Industrial Wall Yoke



Hope Industrial Systems, Inc.
 Toll Free: (877) 762-9790 · International: +1(678) 762-9790
 UK: + 44 20 7193-2618 · E-mail: support@HopelIndustrial.com

Part Number: YW-07 series

Revision:

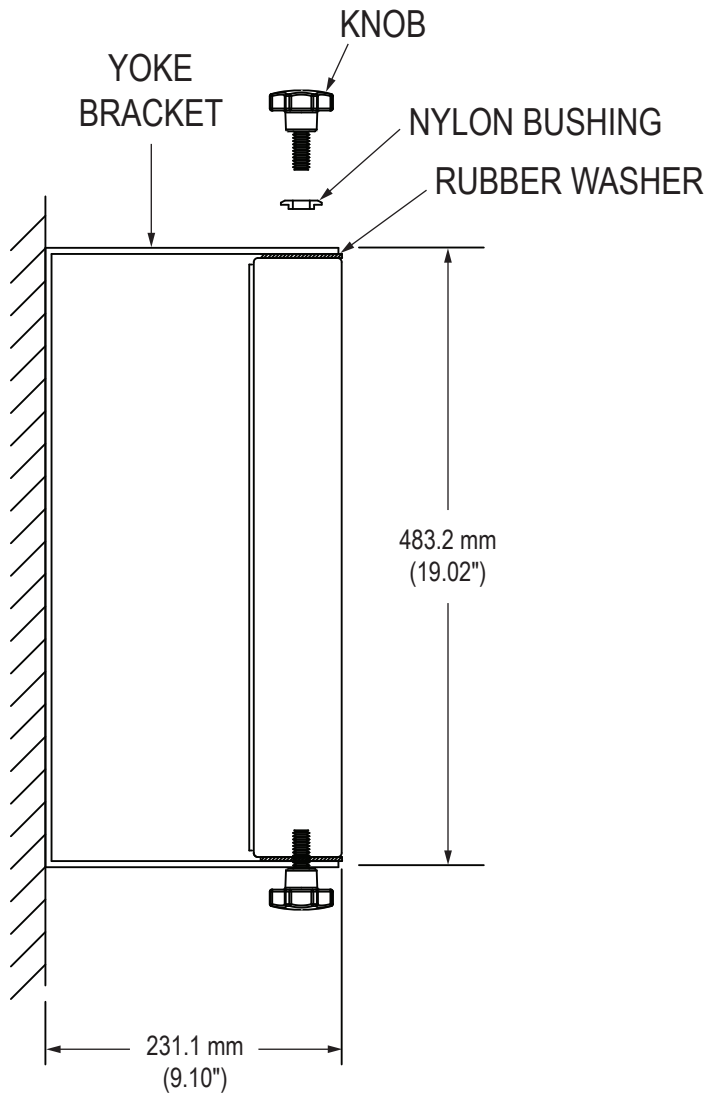
Date: 2010.09.02

Page 1 of 3

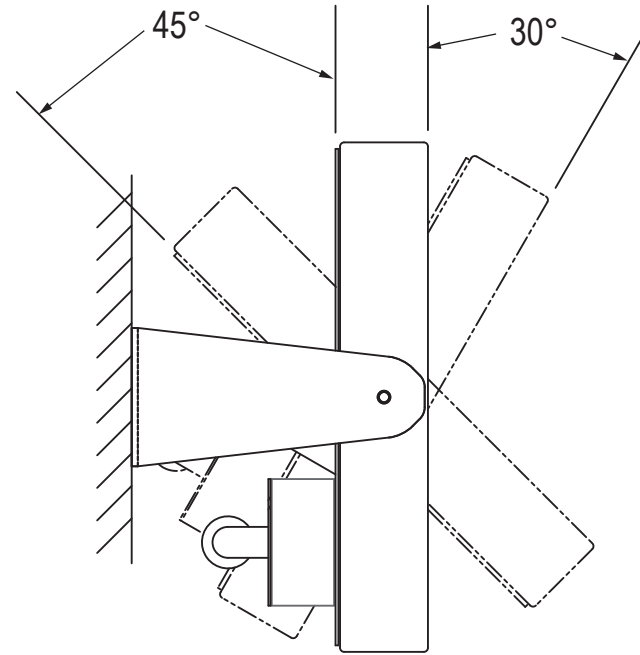
NOTES:

19" MODEL

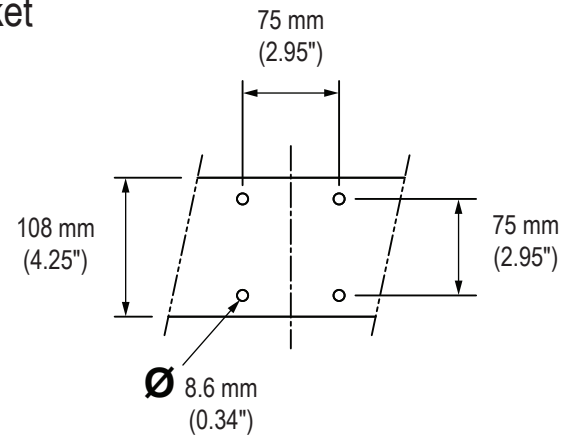
Top View



Side View



Mounting Bracket

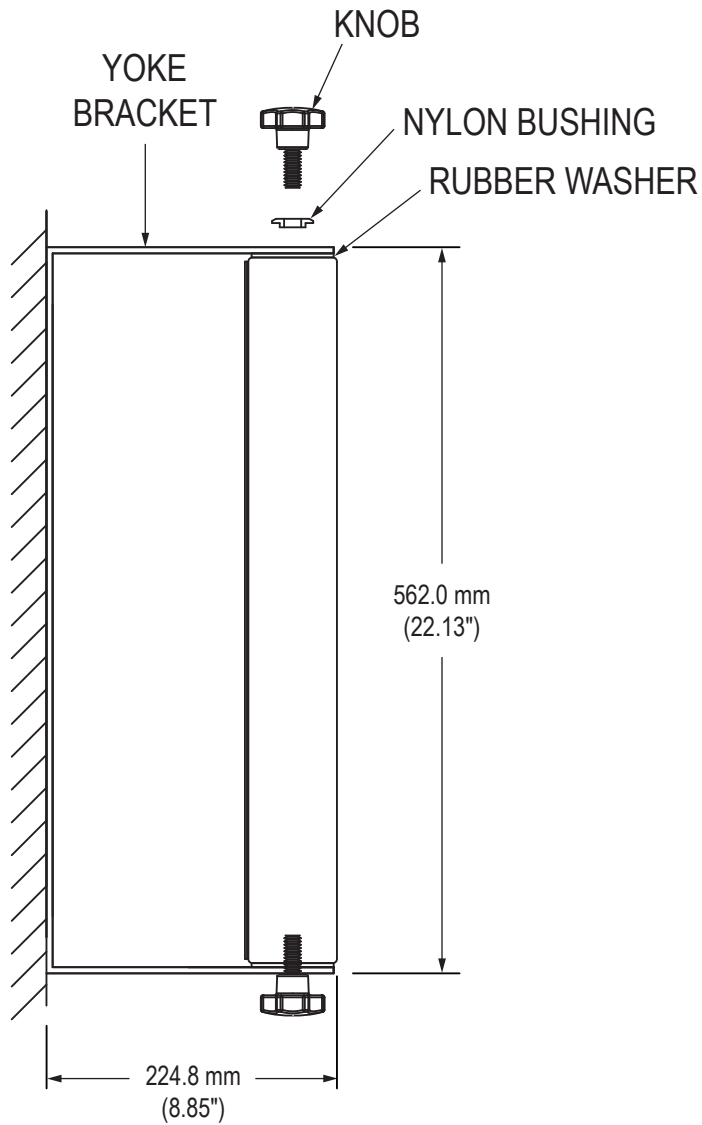


Mechanical Drawing – Heavy Industrial Wall Yoke

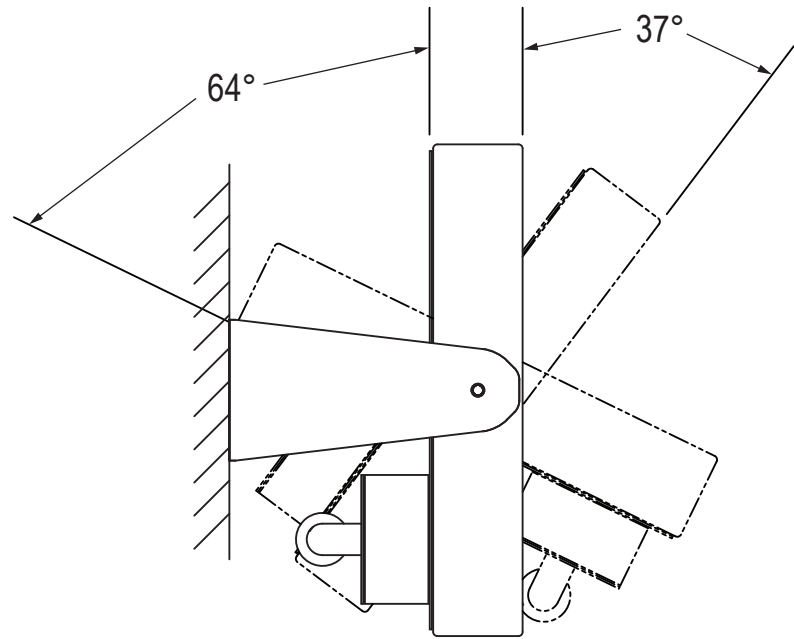


22" MODEL

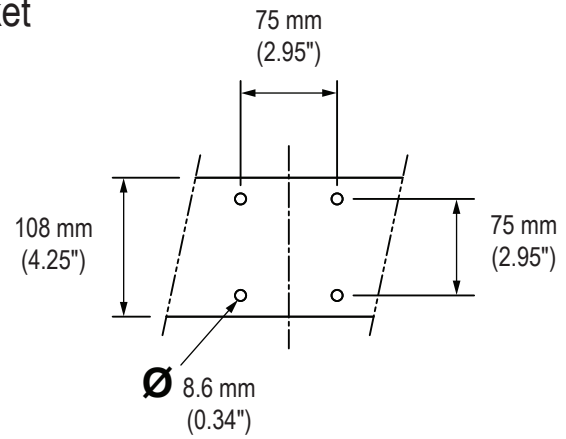
Top View



Side View



Mounting Bracket



Mechanical Drawing – Heavy Industrial Wall Yoke

