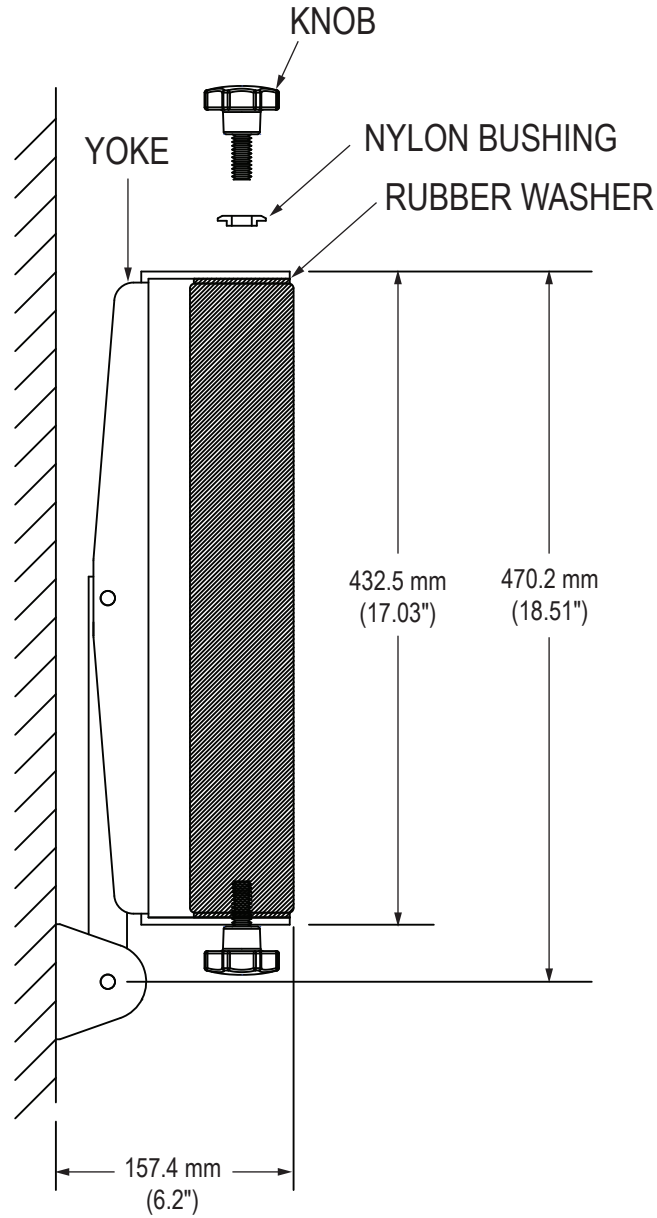
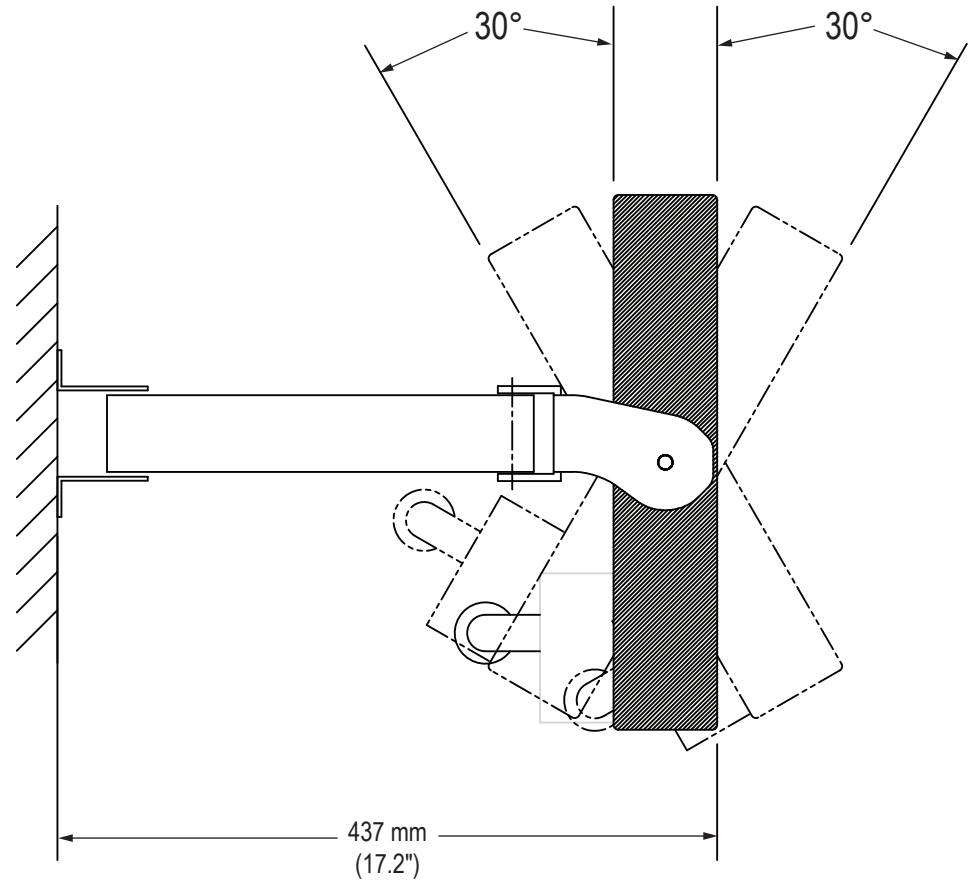


15/17" MODEL

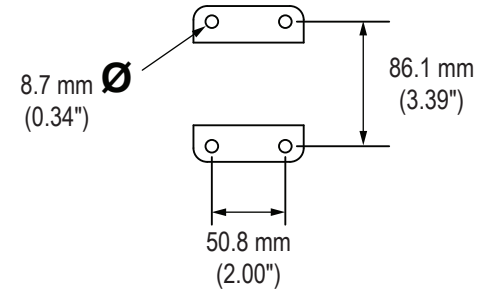
Top View (Collapsed)



Side View (Extended)

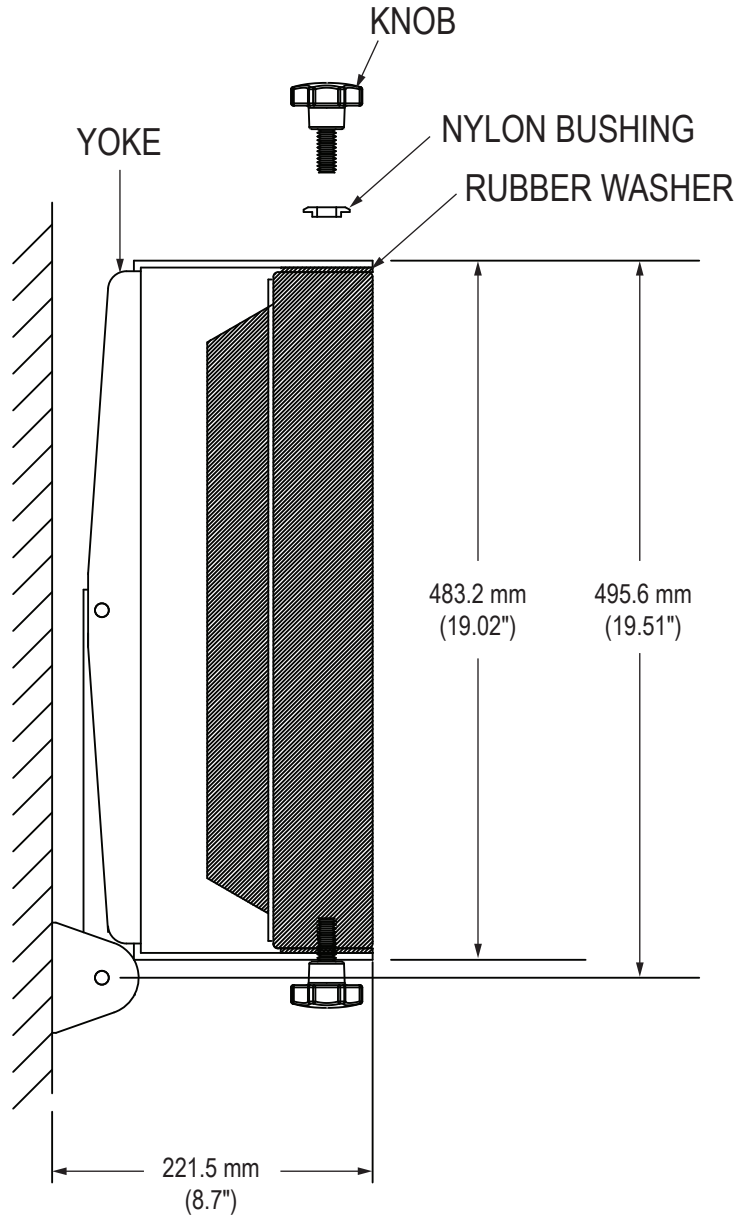


Mounting Bracket

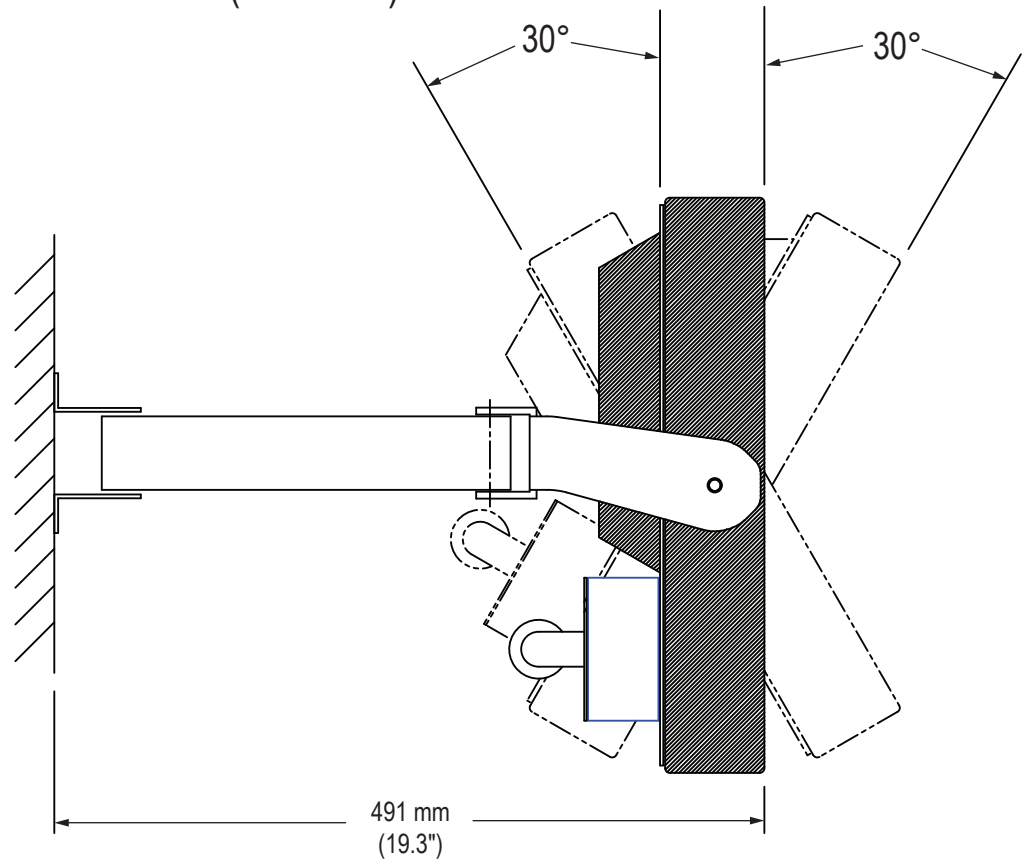


19" MODEL

Top View (Collapsed)



Side View (Extended)



Mounting Bracket

